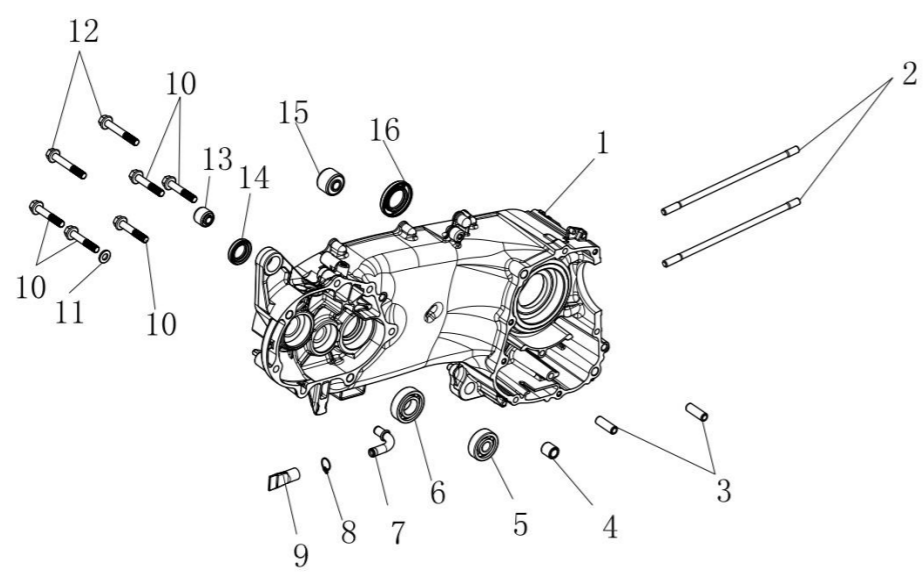
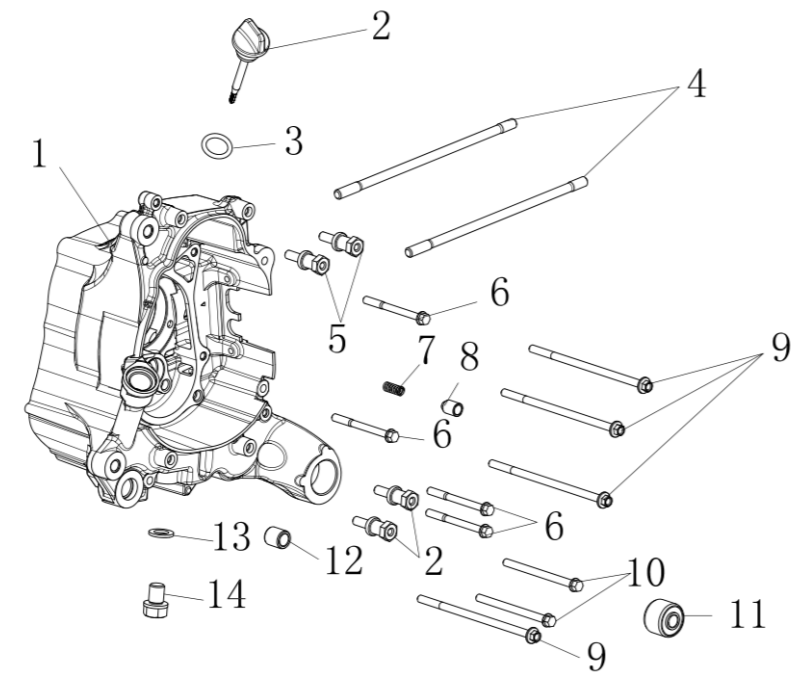


E-1 BODY SET, LEFT CRANKCASE



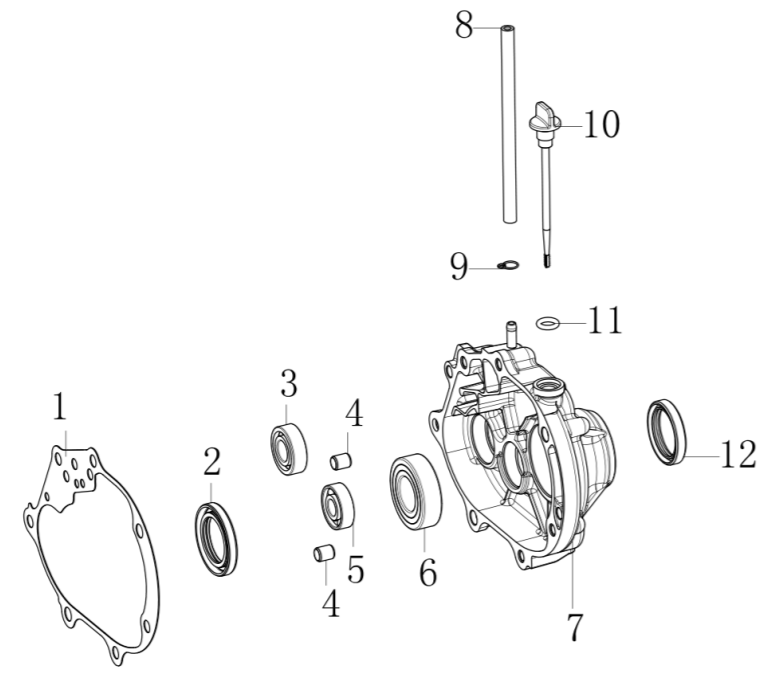
S/N	Part No.		Quantity	Price
1	110030549-0001	BODY SET, LEFT CRANKCASE	1	
2	110240086-0001	BOLT, STUD A	2	
3	380600261-0001	PIN, DOWEL	2	
4	380823661-0001	COLLAR	1	
5	380630614-0001	BEARING	1	
6	380630630-0001	BEARING	1	
7	380780273-0001	JOINT, CONNECTING	1	
8	380950498-0001	CLAMP, TUBE	1	
9	380760418-0001	TUBE, WATER	1	
10	380140738-0001	BOLT, HEXAGON FLANGE	5	
11	380450305-0001	WASHER, PLAIN	1	
12	380140315-0002	BOLT, HEXAGON FLANGE	2	
13	110290009-0001	COLLAR, CUSHION	1	
14	380650210-0001	OIL SEAL	1	
15	110290008-0001	COLLAR, CUSHION	1	
16	380650758-0001	OIL SEAL	1	

B-2 BODY SET, RIGHT CRANKCASE



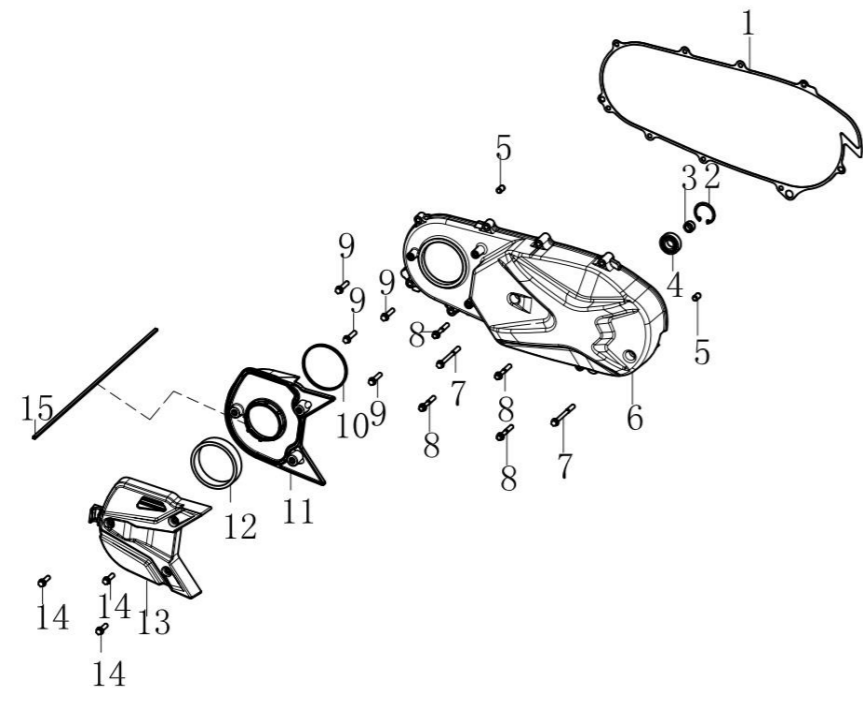
S/N	Part No.		Quantity	Price
1	110080381-0001	BODY SET, RIGHT CRANKCASE	1	
2	110700169-0001	GAUGE COMP., OIL LEVEL	1	
3	380840006-0001	RING, SEAL	1	
4	110250057-0001	BOLT, STUD B	2	
5	141360003-0001	BOLT, LOCATING POST	4	
6	380140057-0005	BOLT, HEXAGON FLANGE	4	
7	381150685-0001	SPRING, COMPRESSION	1	
8	110350006-0001	PRESSING PIN COMP.	1	
9	380140394-0003	BOLT, HEXAGON FLANGE	4	
10	380140059-0005	BOLT, HEXAGON FLANGE	2	
11	110290008-0001	COLLAR, CUSHION	1	
12	380823661-0001	COLLAR	1	
13	380450018-0003	WASHER, PLAIN	1	
14	110260069-0001	SCREW PLUG, SEAL	1	

E-3 TRANSMISSION CASE



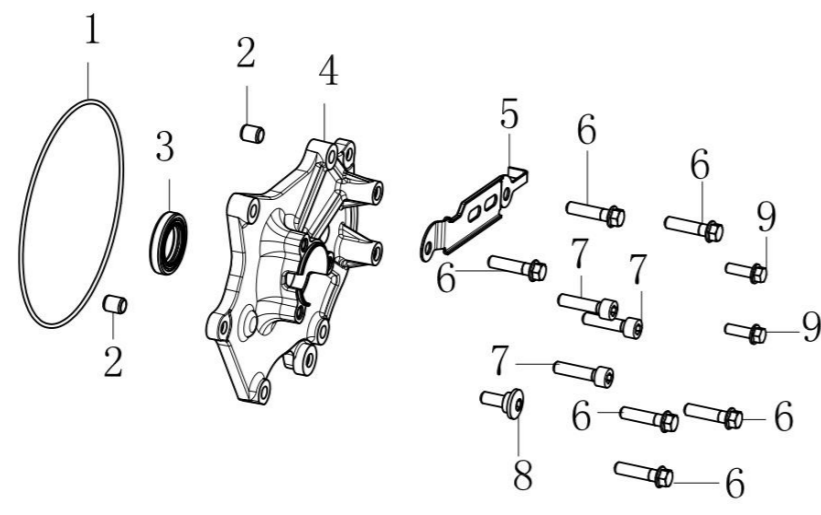
S/N	Part No.		Quantity	Price
1	110200021-0001	GASKET, TRANSMISSION CASE	1	
2	380650307-0001	OIL SEAL	1	
3	380630543-0001	BEARING	1	
4	380600060-0001	PIN, DOWEL	2	
5	380630578-0001	BEARING	1	
6	380630664-0001	BEARING	1	
7	110180029-0001	BODY SET, TRANSMISSION CASE	1	
8	110270048-0001	TUBE ASSY., BREATHER	1	
9	380950497-0001	CLAMP, TUBE	1	
10	110700154-0001	GAUGE COMP., OIL LEVEL	1	
11	380840381-0001	RING, SEAL	1	
12	380650829-0001	OIL SEAL	1	

E-4 LEFT CRANKCASE COVER



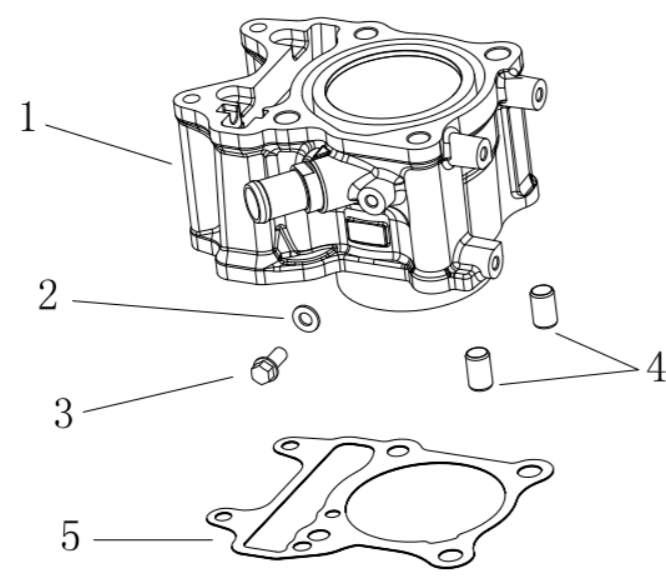
S/N	Part No.		Quantity	Price
1	110390030-0001	GASKET, LEFT CRANKCASE COVER	1	
2	380550100-0001	CHECK RING, ELASTIC	1	
3	380823681-0001	COLLAR	1	
4	380630617-0001	BEARING	1	
5	380600002-0001	PIN, DOWEL	2	
6	110380174-0002	COVER COMP., LEFT CRANKCASE	1	
7	380140057-0003	BOLT, HEXAGON FLANGE	2	
8	380140019-0004	BOLT, HEXAGON FLANGE	4	
9	380140017-0004	BOLT, HEXAGON FLANGE	4	
10	380841339-0001	RING, SEAL	1	
11	111060003-0001	COVER, BREATHER GROOVE INSIDE	1	
12	111080003-0001	STRAINER, BREATHER GROOVE	1	
13	111070003-0001	COVER, BREATHER GROOVE OUTSIDE	1	
14	380140021-0003	BOLT, HEXAGON FLANGE	3	
15	662480007-0001	SEAL STRIP	1	

E-5 RIGHT CRANKCASE COVER



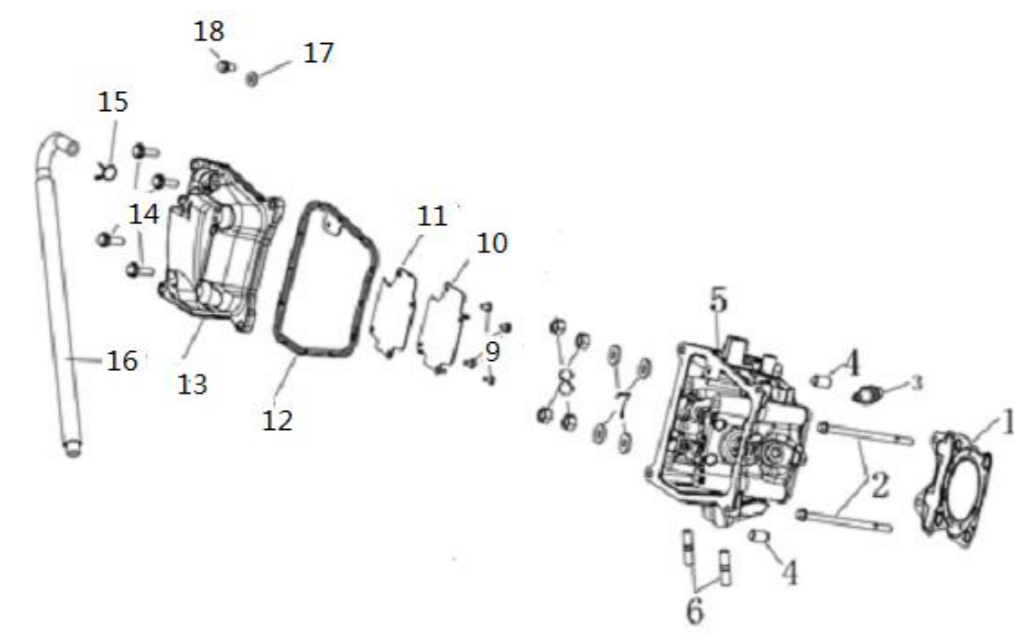
S/N	Part No.		Quantity	Price
1	380841182-0001	RING, SEAL	1	
2	380600057-0001	PIN, DOWEL	2	
3	380650887-0001	OIL, SEAL	1	
4	110600862-0001	COVER COMP., RIGHT CRANKCASE	1	
5	110480050-0001	DISC, TENSION	1	
6	380140016-0005	BOLT, HEXAGON FLANGE	6	
7	380190159-0003	SCREW, HEXAGON SOCKET	3	
8	380120026-0001	BOLT, HEXAGON SOCKET RAISED FACE CHEESE HEAD WITH SHOULDER	1	
9	380140047-0004	BOLT, HEXAGON FLANGE	2	

E-6 CYLINDER



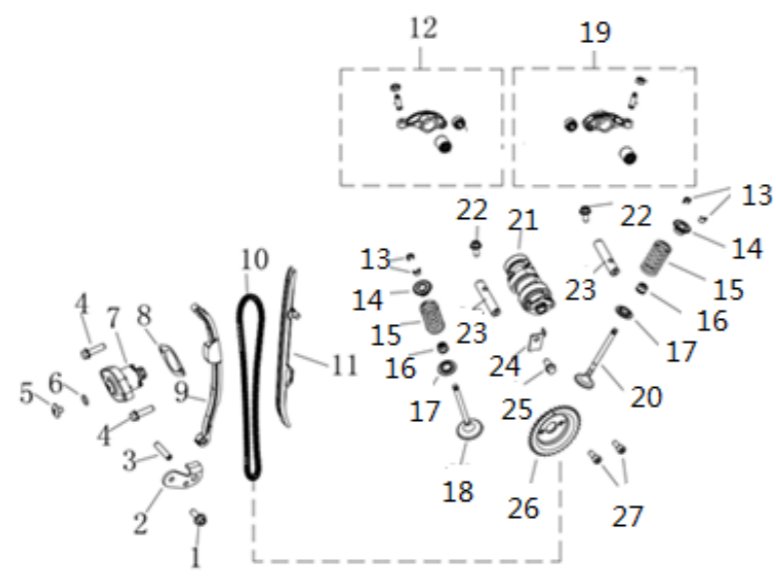
S/N	Part No.		Quantity	Price
1	120020373-0001	BODY SET, CYLINDER	1	
2	380450391-0001	WASHER, PLAIN	1	
3	380140129-0003	BOLT, HEXAGON FLANGE	1	
4	380600006-0001	PIN, DOWEL	2	
5	120050115-0001	GASKET, CYLINDER	1	

E-7 CYLINDER HEAD



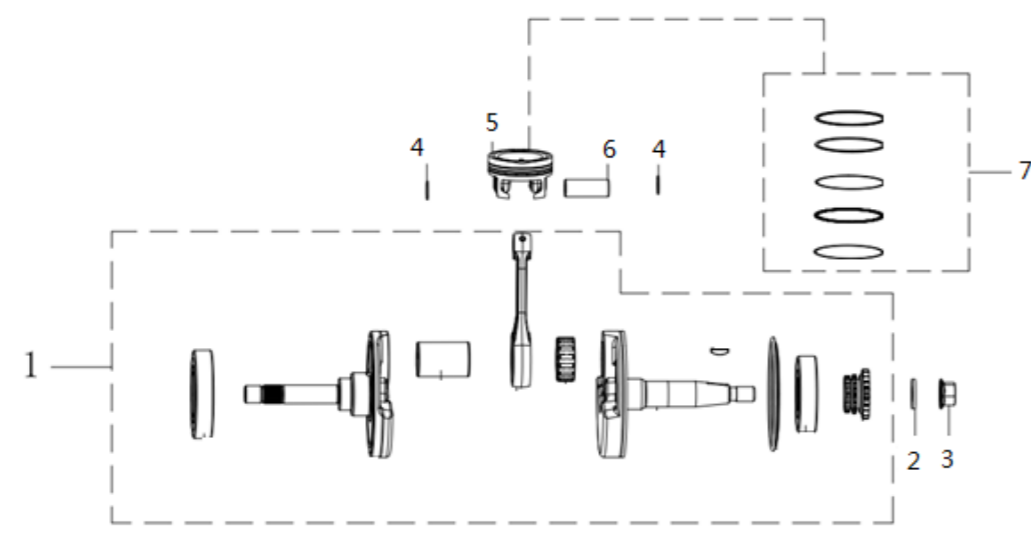
S/N	Part No.		Quantity	Price
1	120150259-0001	GASKET, CYLINDER HEAD	1	
2	380140012-0006	BOLT, HEXAGON FLANGE	2	
3	270960060-0001	PLUG, SPARK	1	
4	380600006-0001	PIN, DOWEL	2	
5	120080859-0001	HEAD COMP., CYLINDER	1	
6	380180006-0003	STUD	2	
7	380450052-0001	WASHER, PLAIN	4	
8	380340005-0005	NUT, HEXAGON HEAD	4	
9	380310104-0001	SCREW, CROSS RECESSED PAN SELF-TAPPING	4	
10	120520013-0001	PLATE, OIL SEPARATING	1	
11	120660008-0001	GASKET, OIL SEPARATING PLATE	1	
12	380841303-0001	RING, SEAL	1	
13	120230204-0001	COVER COMP., CYLINDER HEAD	1	
14	380140021-0006	BOLT, HEXAGON FLANGE	4	
15	380950530-0001	CLAMP, TUBE	1	
16	110270048-0001	TUBE ASSY., BREATHER	1	
17	380450053-0001	WASHER, PLAIN	1	
18	380140026-0006	BOLT, HEXAGON FLANGE	1	

E-8 Valvetrain



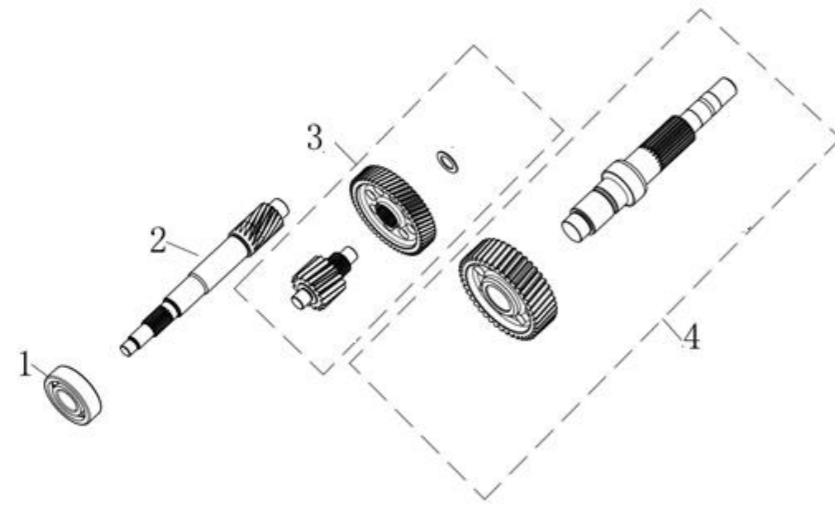
S/N	Part No.		Quantity	Price
1	380140002-0006	BOLT, HEXAGON FLANGE	1	
2	140660010-0001	PLATE, TIMING CHAIN LIMIT	1	
3	380600260-0001	PIN, DOWEL	1	
4	380140021-0006	BOLT, HEXAGON FLANGE	2	
5	141370008-0001	BOLT, TENSIONER	1	
6	380841008-0001	RING, SEAL	1	
7	140750048-0001	TENSIONER ASSY., CAM CHAIN	1	
8	140830008-0001	GASKET, CAM CHAIN TENSIONER	1	
9	140910020-0001	PLATE, TENSION	1	
10	140610018-0001	CHAIN, TIMING	1	
11	141000047-0001	GUIDE PLATE, CHAIN	1	
12	140450089-0001	ARM ASSY., VALVE ROCKER	1	
13	140390030-0001	COTTER, VALVE	4	
14	140380058-0001	RETAINER, VALVE SPRING	2	
15	140350037-0001	SPRING, VALVE (OUTER)	2	
16	140400002-0001	SHIELD, OIL	2	
17	140360017-0001	SEAT, VALVE SPRING INNER	2	
18	140300114-0001	VALVE, INLET	1	
19	140450090-0001	ARM ASSY., VALVE ROCKER	1	
20	140310115-0001	VALVE, EXHAUST	1	
21	140020296-0001	CAMSHAFT ASSY.	1	
22	380140167-0002	BOLT, HEXAGON FLANGE	2	
23	140510072-0001	SHAFT, VALVE ROCKER ARM	2	
24	140170011-0001	PLATE, CAMSHAFT CORE PRESSURE	1	
25	380140026-0006	BOLT, HEXAGON FLANGE	1	
26	140580060-0001	SPROCKET, TIMING DRIVEN	1	
27	380190037-0006	SCREW, HEXAGON SOCKET	2	

E-9 CRANKSHAFT COMP.



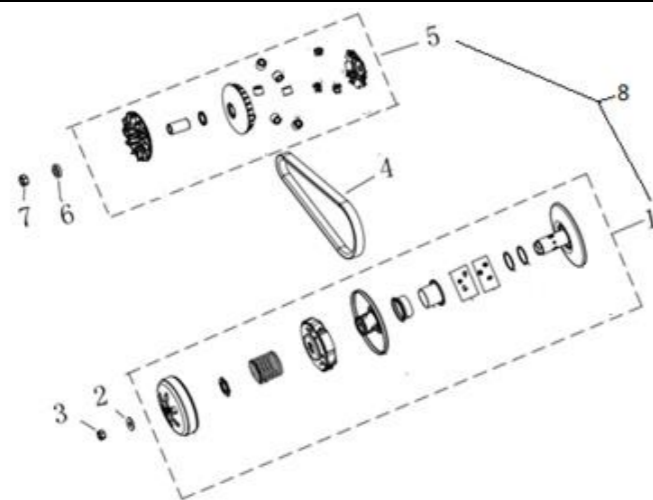
S/N	Part No.		Quantity	Price
1	130140286-0001	CRANKSHAFT COMP.	1	
2	380450259-0001	WASHER, PLAIN	1	
3	380370005-0001	NUT, HEXAGON FLANGE	1	
4	380560021-0001	CHECK RING, STEEL CABLE BAFFLE	2	
5	130030312-0001	PISTON COMP.	1	
6	130060099-0001	PIN, PISTON	1	
7	130070288-0001	RING SET, PISTON	1	

E-10 Drivetrain



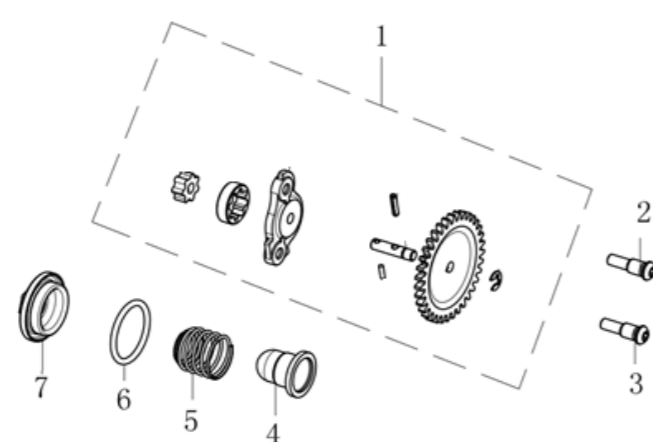
S/N	Part No.		Quantity	Price
1	380630541-0001	BEARING	1	
2	193020017-0001	MAINSHAFT, TRANSMISSION	1	
3	193030022-0001	COUNTERSHAFT ASSY., TRANSMISSION	1	
4	195050009-0001	OUTPUT SHAFT COMP.	1	

E-11 BELT PULLEY COMP., DRIVEN



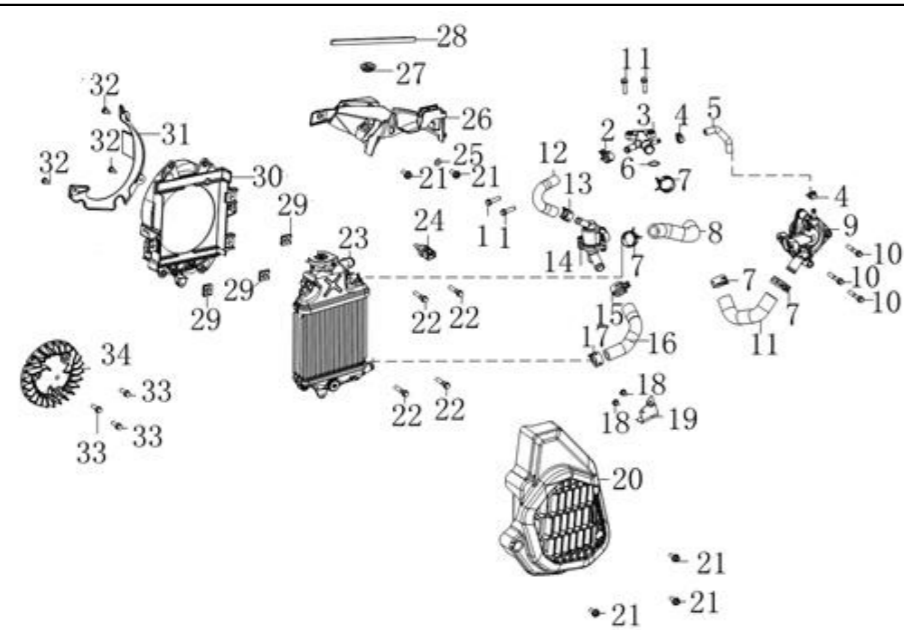
S/N	Part No.		Quantity	Price
1	192890027-0001	BELT PULLEY COMP., DRIVEN	1	
2	380450399-0001	WASHER, PLAIN	1	
3	380340232-0001	NUT, HEXAGON HEAD	1	
4	193000036-0001	BELT	1	
5	192810028-0001	BELT PULLEY ASSY., DRIVING	1	
6	380823662-0001	COLLAR	1	
7	380340231-0001	NUT, HEXAGON HEAD	1	
8	500280416-0001	CLUTCH KIT	1	

E-12 PUMP ASSY., OIL



S/N	Part No.		Quantity	Price
1	150010124-0001	PUMP ASSY., OIL	1	
2	380600057-0001	PIN, DOWEL	2	
3	380190113-0003	SCREW, HEXAGON SOCKET	2	
4	150290001-0001	SCREEN, OIL STRAINER	1	
5	381150252-0001	SPRING, COMPRESSION	1	
6	380840132-0001	RING, SEAL	1	
7	120280003-0008	CAP, TAPPET ADJUSTING HOLE	1	

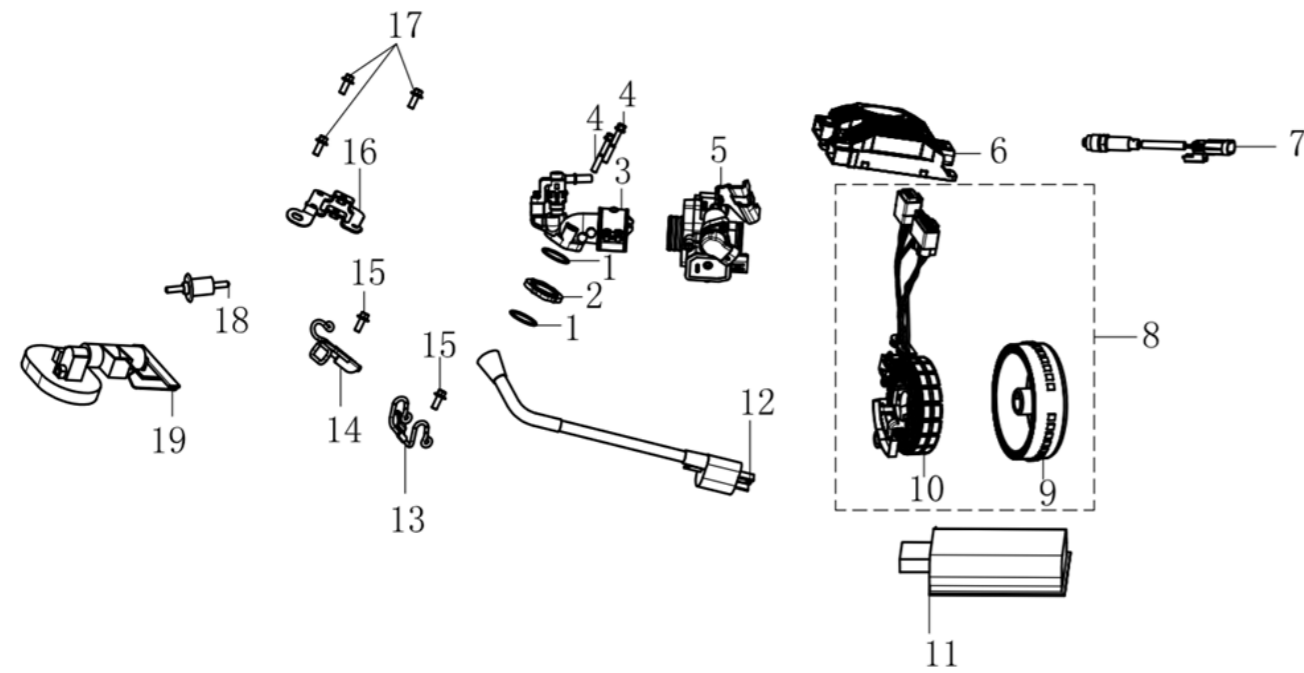
E-13 Cooling



S/N	Part No.		Quantity	Price
1	380140021-0006	BOLT, HEXAGON FLANGE	4	
2	380950487-0001	CLAMP, TUBE	1	
3	170730075-0001	Y-JOINT	1	
4	380950482-0001	CLAMP, TUBE	2	
5	380760413-0001	TUBE, WATER	1	
6	380841514-0001	RING, SEAL	1	
7	380950488-0001	CLAMP, TUBE	4	
8	380760416-0001	TUBE, WATER	1	
9	160400031-0001	PUMP, COOLING	1	
10	380140019-0006	BOLT, HEXAGON FLANGE	3	
11	380760417-0001	TUBE, WATER	1	
12	380760414-0001	TUBE, WATER	1	
13	380950483-0001	CLAMP, TUBE	1	
14	160110056-0001	THERMOSTAT COMP.	1	

15	380950485-0001	CLAMP, TUBE	1	
16	380760415-0001	TUBE, WATER	1	
17	380950484-0001	CLAMP, TUBE	1	
18	380310105-0001	SCREW, CROSS RECESSED PAN SELF-TAPPING	2	
19	160920007-0001	SUPPORTER OF COOLING WATER TUBE	1	
20	160830004-0001	SHIELD, RADIATOR	1	
21	380140002-0006	BOLT, HEXAGON FLANGE	5	
22	380140143-0002	BOLT, HEXAGON FLANGE	4	
23	160010128-0001	RADIATOR COMP.	1	
24	270790014-0001	SENSOR, ENGINE	1	
25	380450142-0001	WASHER, PLAIN	1	
26	382400008-0001	DUST PROOF CAP	1	
27	277550017-0001	RUBBER JACKET	1	
28	662480006-0001	SEAL STRIP	1	
29	380420073-0001	NUT, CLIP	3	
30	431840012-0001	BRACKET, RADIATOR	1	
31	161190002-0001	LOWER BRACKET OF HEAT RADIATOR	1	
32	380310006-0002	SCREW, CROSS RECESSED PAN SELF-TAPPING	4	
33	380140023-0002	BOLT, HEXAGON FLANGE	3	
34	160750014-0001	FAN	1	

E-14 EFI Parts



S/N	Part No.		Quantity	Price
1	380841336-0001	RING, SEAL	2	
2	181600075-0001	INSULATION BLANKET	1	
3	180410062-0002	TUBE COMP., AIR INTAKE	1	
4	380140019-0006	BOLT, HEXAGON FLANGE	2	
5	172810078-0001	BODY ASSY., THROTTLE	1	
6	423000177-0001	CONTROLLER	1	
7	172750045-0001	OXYGEN SENSOR	1	
8	270010331-0004	GENERATOR ASSY.	1	
9	270020418-0001	ROTOR COMP.	1	
10	270100259-0001	STATOR COMP.	1	
11	172710075-0001	ECU ELECTRICAL CONTROLLER	1	
12	270920584-0001	COIL ASSY., IGNITION	1	
13	301760003-0001	BRACE, EXHAUST PIPE	1	
14	301760004-0001	BRACE, EXHAUST PIPE	1	
15	380140026-0006	BOLT, HEXAGON FLANGE	2	
16	270970032-0001	BRACKET, IGNITION COIL	1	
17	380140002-0006	BOLT, HEXAGON FLANGE	3	
18	170010035-0001	FILTER, FUEL	1	
19	172800043-0001	BRACKET ASSY., ELECTRIC FUEL PUMP	1	