



# STORM-S PART LIST



MATTE GREY



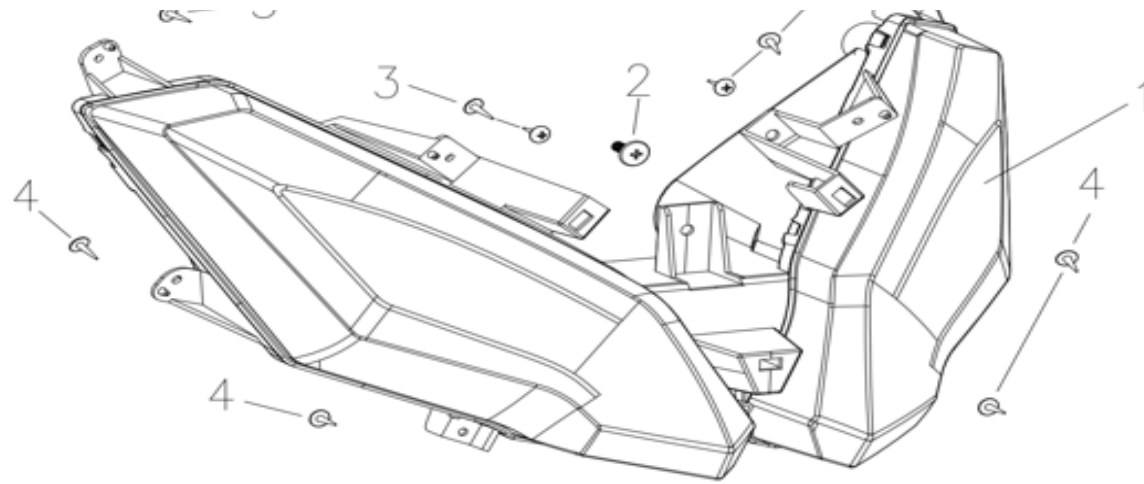
MATTE BLACK



F 1 HEAD LIGHT

3

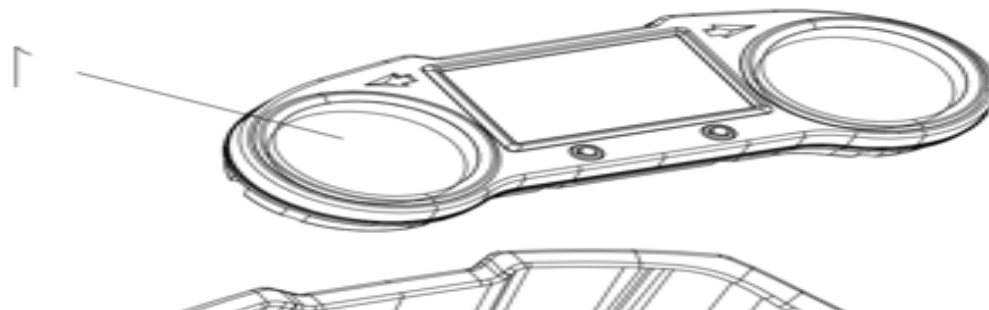


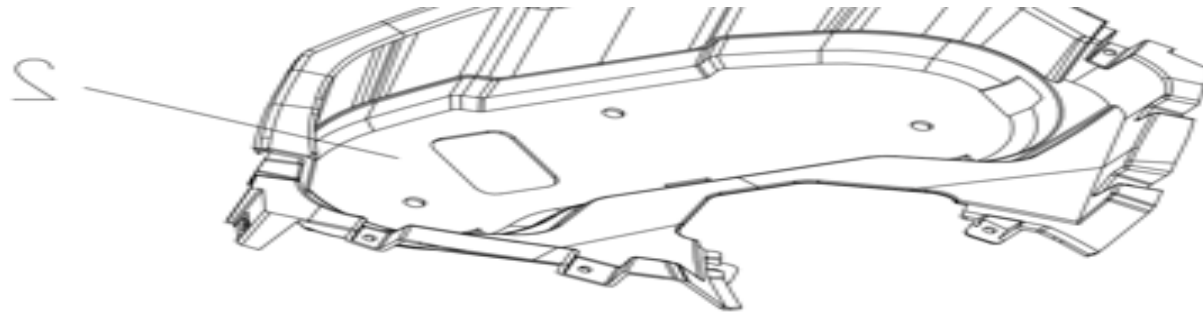


No.	Code	Item	Qty
1	0210000. T11P	HEADLIGHT	1
2	GB818. 06016	SCREW TAPPING M6*16	1
3	GB845. 48016	SCREW TAPPING 4.8*16 (K)	6
4	GB845. 42012	SCREW TAPPING 4.2*12	4

1

**F 2 SPEED METER**

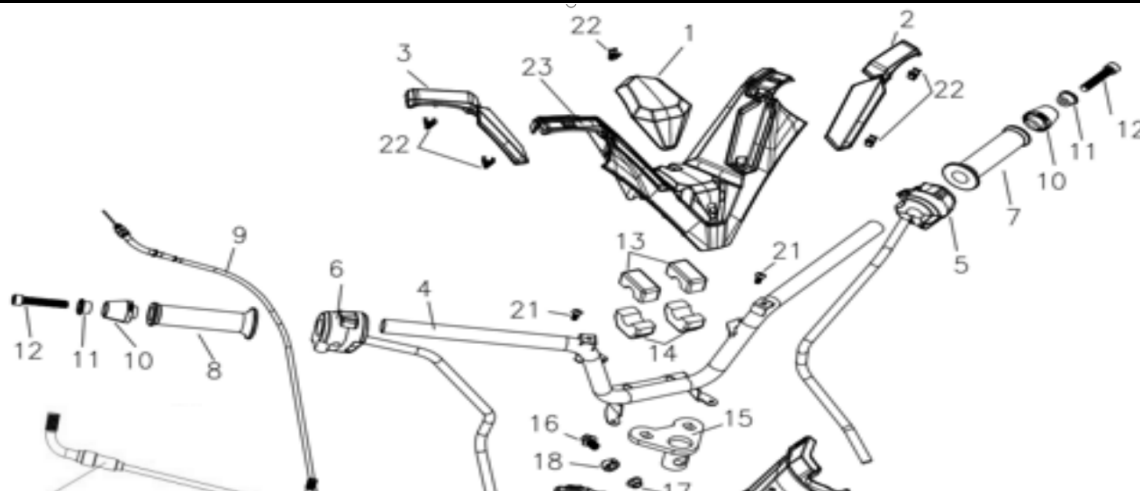


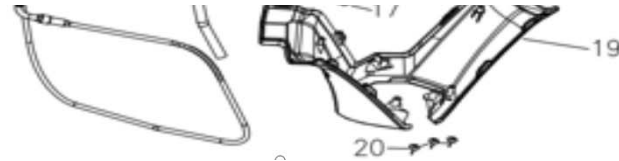


No.	Code	Item	Qty
1	0800000. T11P	SPEEDOMETER ASSY. (MILE/DOT)	1
2	0110007. T11P	BRACKET, COVER	1

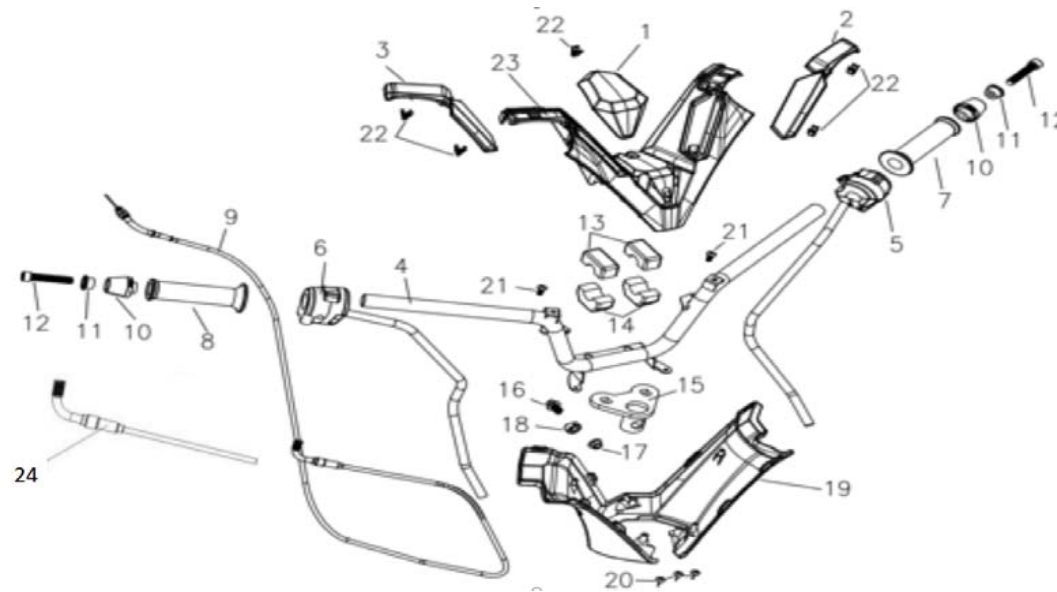
2

**F 3 HANDLE B.**





No.	Code	Item	Qty
1	0110017. T11P	LID ,HANDLE UP	1
2	0110015. T11P	LID ,HANDLE UP, L	1
3	0110016. T11P	LID ,HANDLE UP, R	1
4. 1	0322000. T11P	HANDLE BAR	1
4. 2	0322000. T11P. 02	HANDLE BAR, FOR HEATED CRIP, BACKLIGHT SWITCH	1
4. 3	0322000. T11P. 03	HANDLE BAR, FOR BACK LIGHT SWITCH	1
5. 1	0741000. T10K	SWITCH, HANDLEBAR L.	1
5. 2	0741000. T12S. 01	SWITCH, HANDLEBAR L. BACK LIGHT	1
6. 1	0742000. T10K	SWITCH, HANDLEBAR R.	1
6. 2	0742000. T12S. 02	SWITCH, HANDLEBAR R. BACK LIGHT	1
7. 1	0910003. T11P	L. GRIP, HANDLE	1
7. 2	0910003. T12S	L. HEATED GRIP, HANDLE	1
8. 1	0910004. T11P	THROTTLE GRIP, HANDLE	1
8. 2	0910004. T12S	THROTTLE HEATED GRIP, HANDLE	1
9. 1	0910001. T10P	THROTTLE CABLE 1	1
9. 2	0910001. T11P. 02	THROTTLE CABLE 1, FOR HEATED GRIP	1
9. 3	0910001. T11P. 03	THROTTLE CABLE 1(version 2)	1
10. 1	0322005. T11P	END HANDLE, LOGO	2
10. 2	0322005. T12S	END HANDLE, FOR HEATED GRIP	2
10. 3	0322005. T11P. 01	END HANDLE, WITHOUT LOGO	2

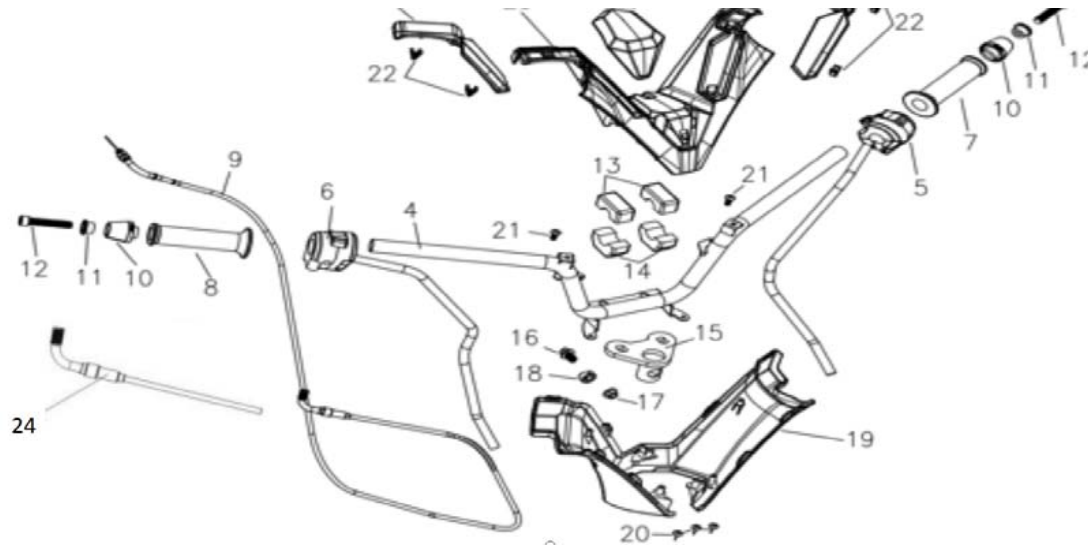


No.	Code	Item	Qty
11	0322006. T11P	END HANDLE, DÉCOR COVER	2
12	GB70. 1. 10050. 11	BOLT WASH M10*50*1.5	2
13	0322007. T09K	HOLD ER HANDLE PIPE	2
14	0322008. T09K	HOLD LOW HANDLE PIPE	2
15.1	0323000. T11P	HOLD HANDLE FIXING BOARD	1
15.2	0323000. T11P. 01	HOLD HANDLE FIXING BOARD(version 2)	1
16	GB5789. 10045	BOLT FLANGE M10*45	1
17	GB6187. 1. 10	NUT FLANGE 10MM	1
18	1410037. T09K	BUSH, HANDLE BAR	1
19	0110014. T11P	HANDLE COVER LOW	1
20	GB845. 42016	SCREW TAPPING 4.2*16	3

4

### F 3 HANDLE BAR

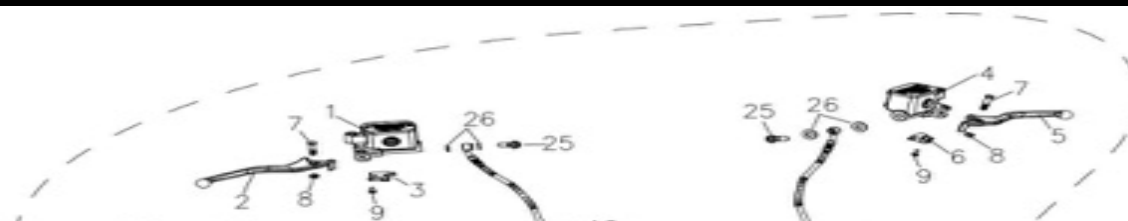


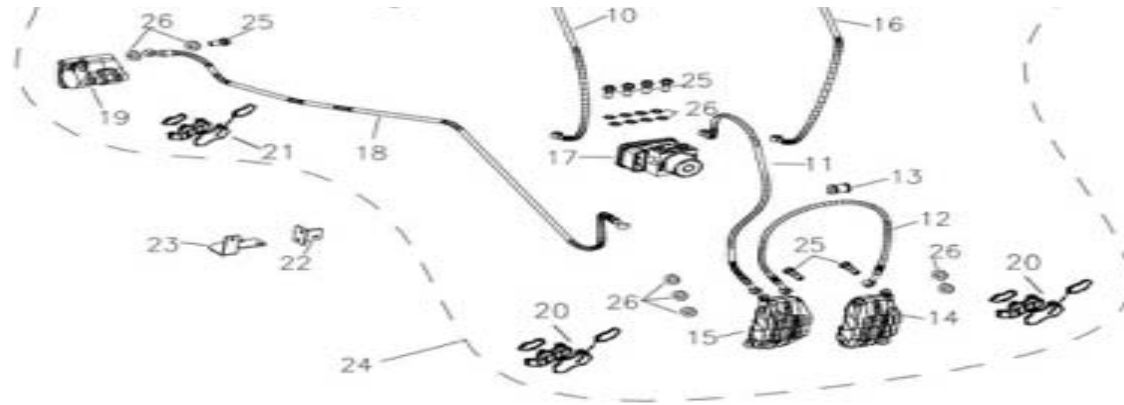


No.	Code	Item	Qty
21	1410041.G01S	FLAT HEAD BOLT M 6*12	2
22	1430001.T09K	PLASTIC CLASP	5
23	0110013.T11P	HANDLE COVER UP	1
24.1	0910002.T11P.02	THROTTLE CABLE 2, FOR HEATED HANDLE BAR	1
24.2	0910002.T11P.03	THROTTLE CABLE 2	1

5

#### F 4 BRAKE ASSY

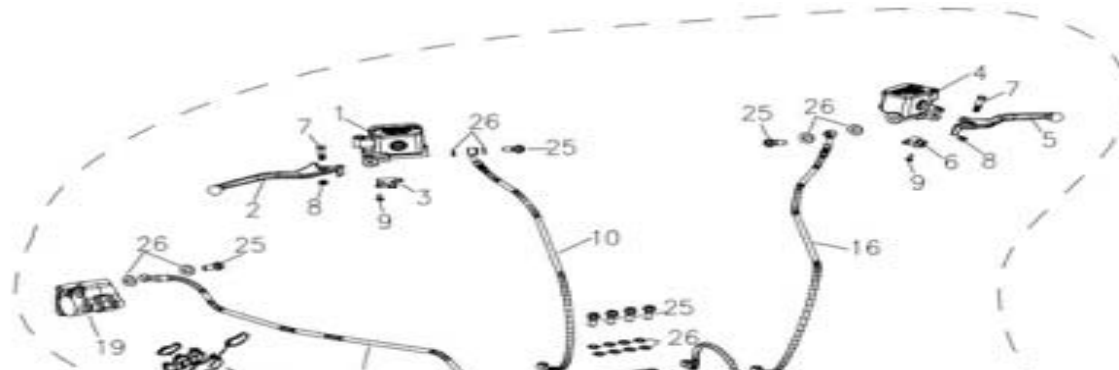


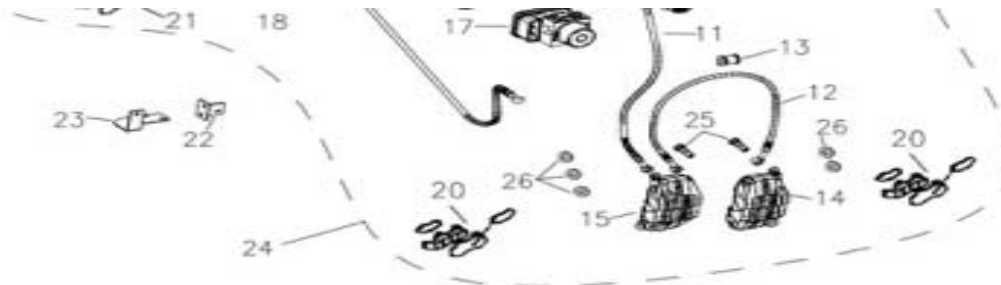


No.	Code	Item	Qty
1	0511000. T11P	CYLINDER SET FR MASTER	1
2	0511001. T11P	LEVER R	1
3	0511002. T11P	SWITCH ASSY FR BRAKE	1
4	0521000. T11P	CYLINDER SET RR MASTER	1
5	0521001. T11P	LEVER L	1
6	0521002. T11P	SWITCH ASSY RR BRAKE	1
7	0511005. T09K	BOLT HANDLE LEVER	2
8	0511006. T09K	FLANGE NUT M6	2
9	GB823. 05012	SCREW WASHER M5*12	2
10	0542005. T11P	HOSE ASSY FR UP BRAKE	1

6

#### F 4 BRAKE ASSY

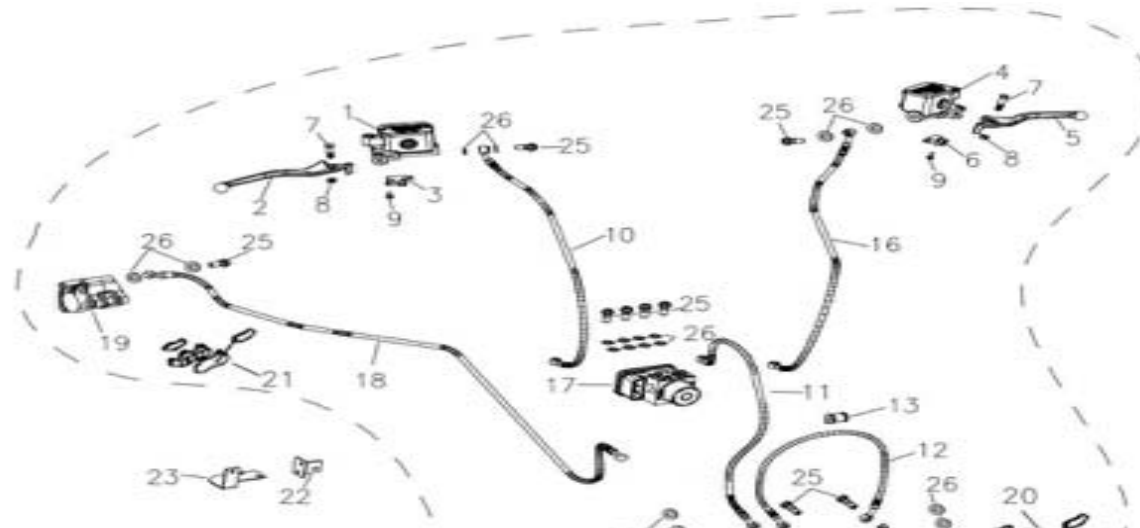




No.	Code	Item	Qty
11	0542006. T11P	HOSE ASSY FR LOW BRAKE	1
12	0542011. T11P	BRANCH HOSE FR LOW BRAKE	1
13	1430056. T11P	FRONT FENDER WIRE CLIP	1
14	0512100. T11P	LEFT CALIPER ASSY RR	1
15	0512200. T11P	RIGHT CALIPER ASSY RR	1
16	0542007. T11P	HOSE ASSY RR UP BRAKE	1
17	0542001. T11P	ABS-ECU	1
18	0542008. T11P	HOSE ASSY RR LOW BRAKE	1
19	0522100. T11P	LEFT CALIPER ASSY FR	1
20	0512101. T11P	FR BRAKE PAD	2pair

7

#### F 4 BRAKE ASSY



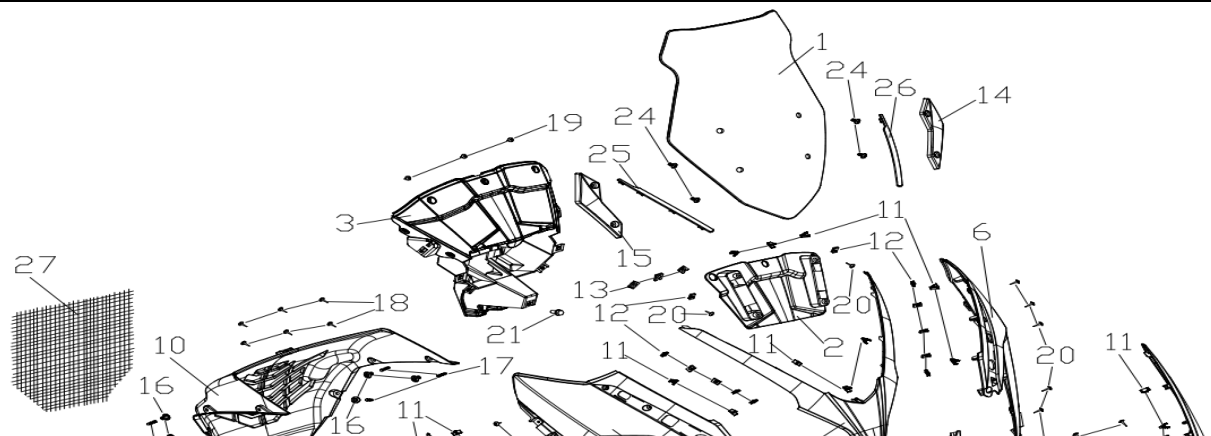


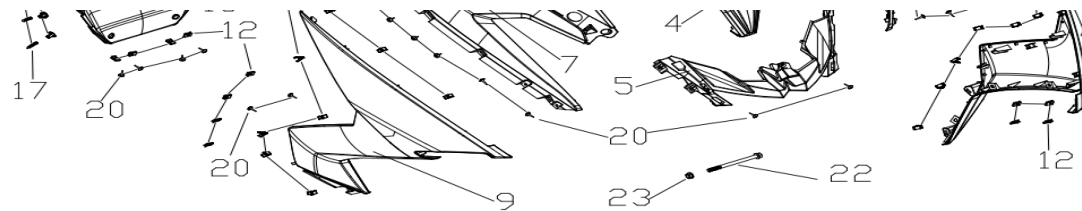


No.	Code	Item	Qty
21	0522101. T11P	RR BRAKE PAD	1pair
22	0320014. T11P	ABS RIGHT BRACKET	1
23	0320013. T11P	ABS LEFT BRACKET	1
24. 1	0542000. T11P	ABS BRAKE ASSY, FOR REAR TIRE 140/60-14	1
24. 2	0542000. T11P. 01	ABS BRAKE ASSY, FOR 140/70-14	1
24. 3	0542000. T11P. 05	ABS BRAKE ASSY, FOR 140/60-14(version 2)	1
24. 4	0542000. T11P. 06	ABS BRAKE ASSY, FOR 140/70-14(version 2)	1
25	0510004. T11P	OIL BOLT	10
26	0510005. T11P	OIL SEAL GASKET	20

8

## F 5 FRONT COVER

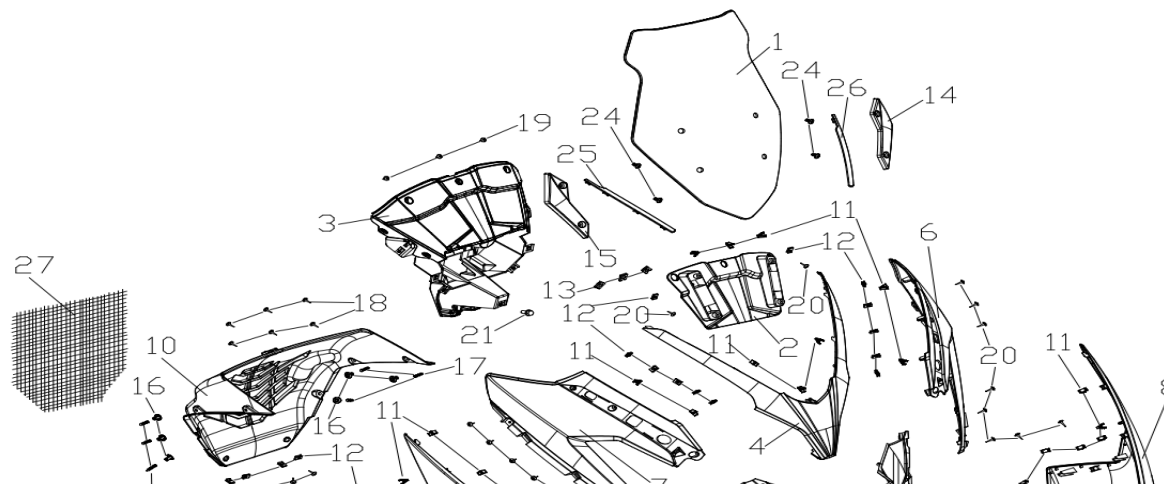


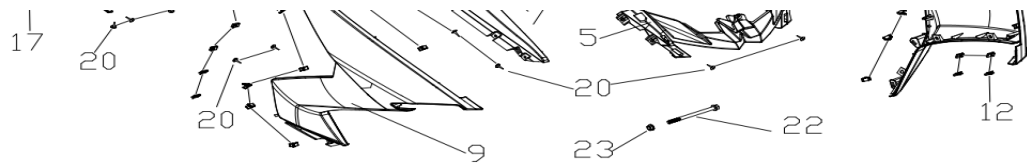


No.	Code	Item	Qty
1.1	0110001. T11P	WIND SCREEN	1
1.2	0110001. T11P. 03	WIND SCREEN(version2, higher)	1
2	0110010. T11P	LID BRACKET, COVER FR	1
3.1	0110009. T11P	METER FR COVER	1
3.2	0110009. T11P. 01	METER FR COVER(version 2)	1
4	0110002. T11P	COVER FR TOP	1
5	0110038. T11P	CONNECTION PLATE	1
6	0110027. T11P	FRONT COVER L	1
7	0110028. T11P	FRONT COVER R	1
8	0110035. T11P	MOLD RIGHT FR	1
9	0110036. T11P	MOLD LEFT FR	1
10	0110043. T11P	FRONT FENDER INNER	1

9

## F 5 FRONT COVER

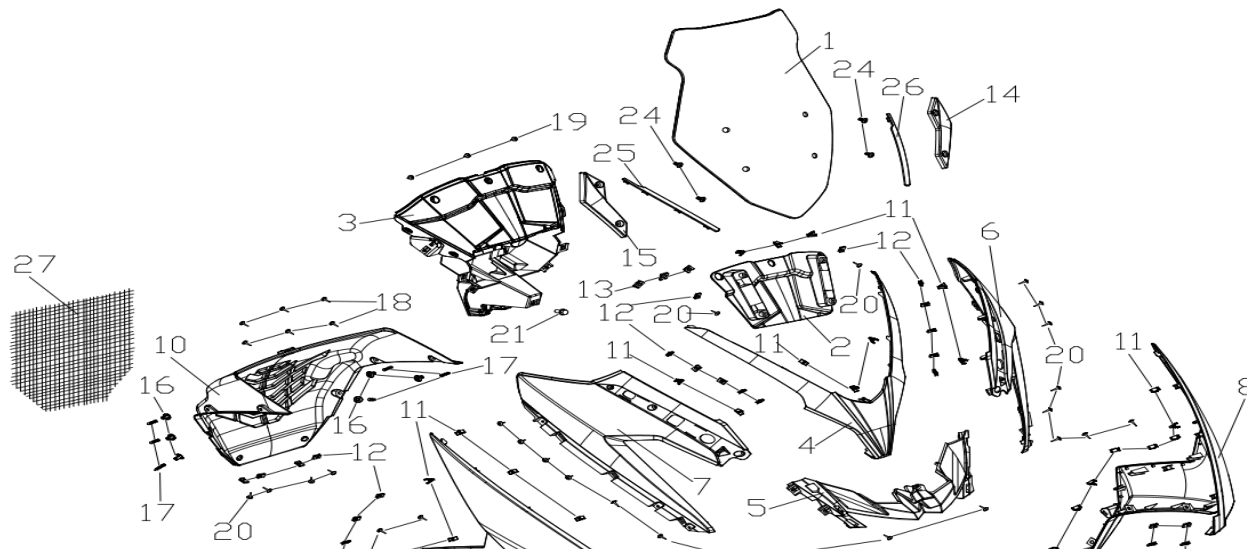


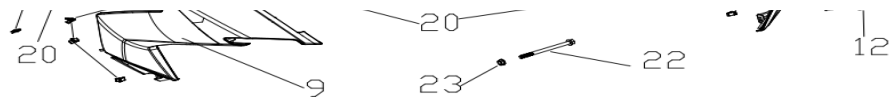


No.	Code	Item	Qty
11	1430001. T09K	PLASTIC CLASP	26
12	Q397. 42	NUT SPRING 4MM	24
13	Q312. 06	FLANGE NUT M6	3
14	0110081. T11P. 02	WIND SCREEN COVER L(version 2)	1
15	0110082. T11P. 02	WIND SCREEN COVER R(version 2)	1
16	1430032. T08K	EXPANSION NAIL BODY	6
17	1430033. T08K	EXPANSION NAIL	6
18	GB845. 42010	SCREW TAPPING 4.2*10 (K)	6
19	GB845. 48012	SCREW TAPPING 4.8*12 (K)	3
20	GB845. 48016	SCREW TAPPING 4.8*16 (K)	24

**10**

**F 5 FRONT COVER**

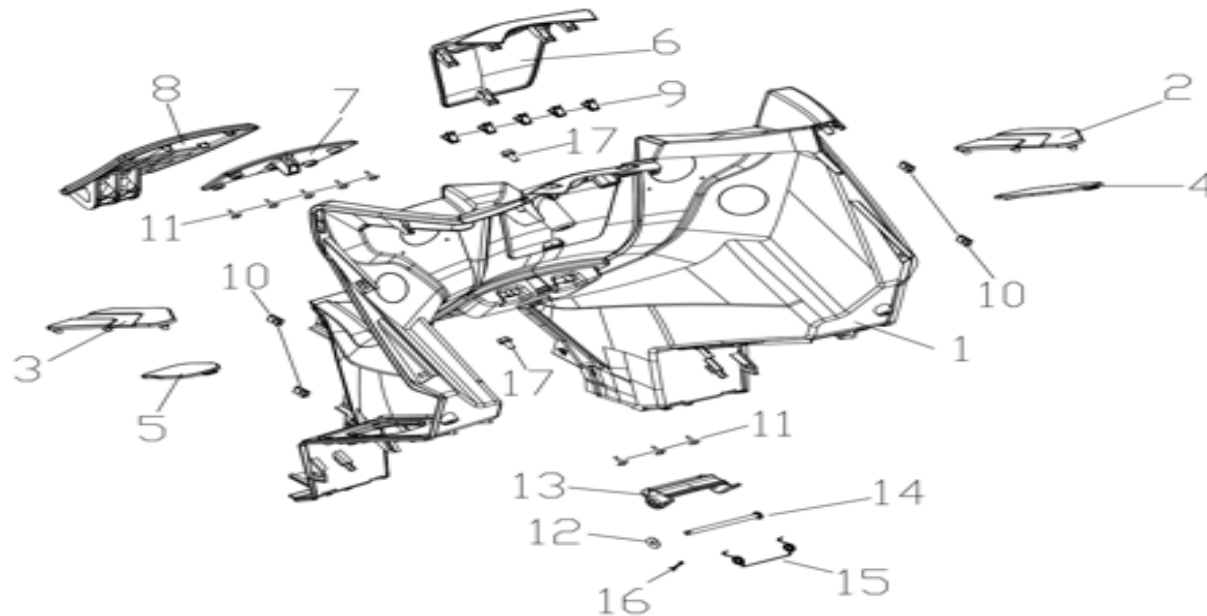




No.	Code	Item	Qty
21	1410083. T09K	BOLT FLANGE M8×20	1
22	GB5789. 08120	BOLT FLANGE M8×120	1
23	GB6177. 1. 08	FLANGE NUT M8	1
24	1410041. G01S. 11	BOLT M6×12	4
25	0110031. T11P. 02	LITTLE COVER FR L SIDE(version 2)	1
26	0110032. T11P. 02	LITTLE COVER FR R SIDE(version 2)	1
27	0350002. T11P. 01	WIND SCREEN COVER L	1

11

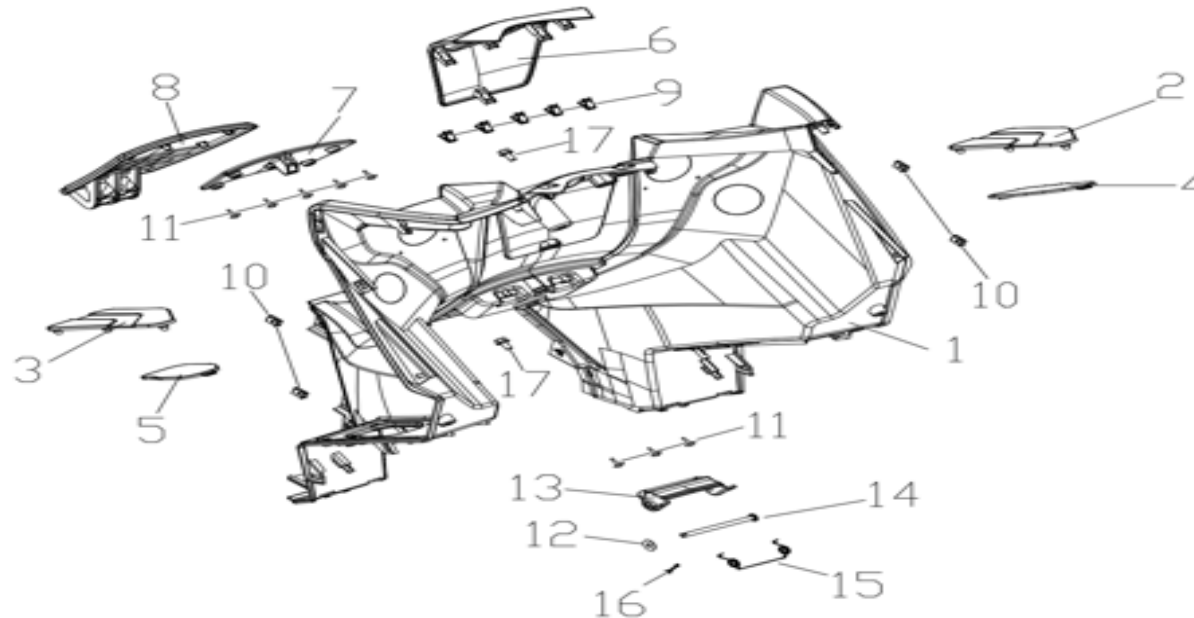
## F 6 LEG SHIELD



No.	Code	Item	Qty
1	0110019. T11P	LEG SHIELD	1
2.1	0159002. T11P	RIGHT FR PEDAL RUBBER COVER	1
2.2	0159002. T11P. 01	RIGHT FR PEDAL RUBBER COVER, WITHOUT LOGO	1
3.1	0159001. T11P	LEFT FR PEDAL RUBBER COVER	1
3.2	0159001. T11P. 01	LEFT FR PEDAL RUBBER COVER, WITHOUT LOGO	1
4	0110022. T11P	COVER R LEG SIELD UP	1
5	0110021. T11P	COVER L LEG SIELD UP	1
6	0110020. T11P	COVER MIAN LOCK	1
7	0120047. T11P	FUEL COVER INNER LID	1
8	0120003. T11P	FUEL LID COVER	1
9	1430001. T09K	PLASTIC CLASP	5
10	Q397. 42	NUT SPRING 4MM	4

## 12

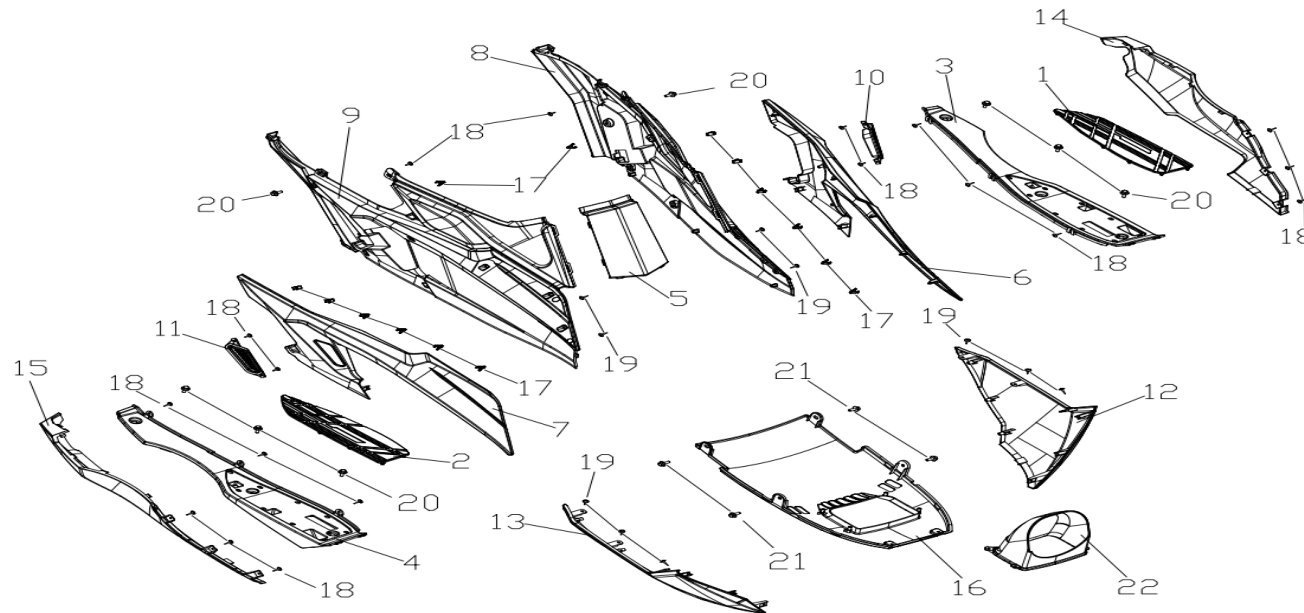
### F 6 LEG SHIELD



No.	Code	Item	Qty
11	GB845.42012	SCREW TAPPING 4*12 (K)	8
12	GB96.05012	WASHER $\phi 5 * \phi 12$	1
13	0120045.T11P	BRACKET FUEL LID COVER	1
14	1410032.T11P	SHAFT FUEL LID COVER	1
15	0350016.T11P	SPRING FUEL LID COVER	1
16	1410035.T09K	PIN LOCK 8MM	1
17	GB818.06016	CROSS SCREW M6X16	2

13

## F 7 MIDDEL COVER

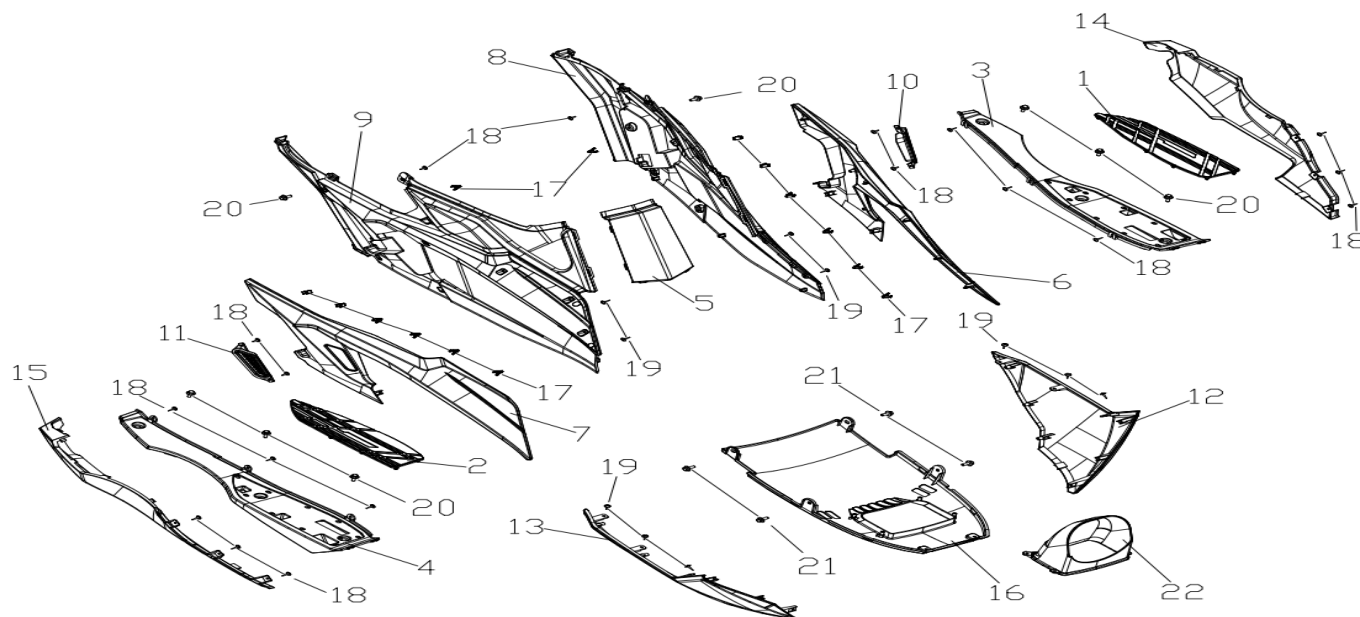


No.	Code	Item	Qty
1	0159003.T11P	LEFT RR PEDAL RUBBER COVER	1

2	0159004. T11P	RIGHT RR PEDAL RUBBER COVER	1
3	0120011. T11P	L PEDAL	1
4	0120012. T11P	R PEDAL	1
5	0120037. T11P	COVER FR SEAT	1
6	0120015. T11P	COVER L PEDAL	1
7	0120016. T11P	COVER R PEDAL	1
8	0120013. T11P	COVER L SIDE	1
9	0120014. T11P	COVER R SIDE	1
10	0120049. T11P	NET COVER L SIDE	1

**14**

**F 7 MIDDEL COVER**

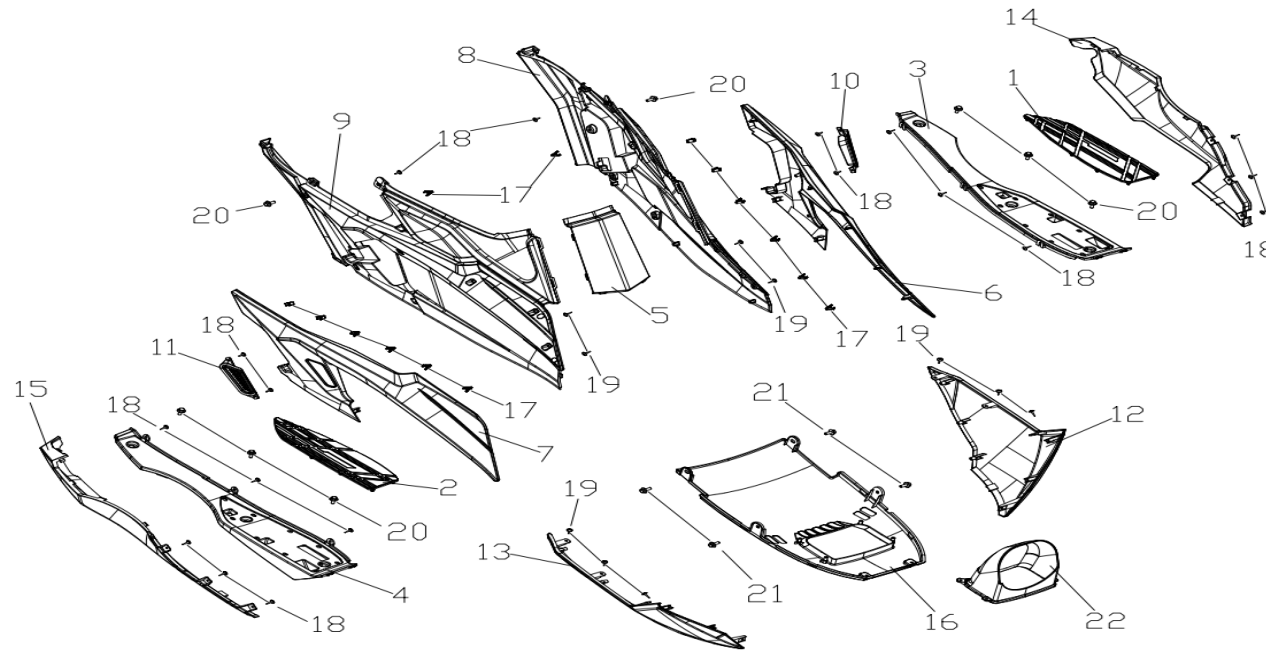


No.	Code	Item	Qty
11	0120050. T11P	NET COVER R SIDE	1
12	0120019. T11P	FR MOLD L/H SIDE	1
13	0120020. T11P	FR MOLD R/H SIDE	1

14	0120021. T11P	RR MOLD L/H SIDE	1
15	0120022. T11P	RR MOLD R/H SIDE	1
16.1	0120023. T11P	COVER UNDER	1
16.2	0120023. T11P. 02	COVER UNDER, WIRH HOLE	1
17	1430001. T09K	PLASTIC CLASP	14
18	GB845. 42012	SCREW TAPPING 4*12 (K)	18
19	GB845. 48016	SCREW TAPPING 4.8*16 (K)	10
20	GB5789. 06012	FLANGE BOLT M6X12	8

**15**

**F 7 MIDDEL COVER**

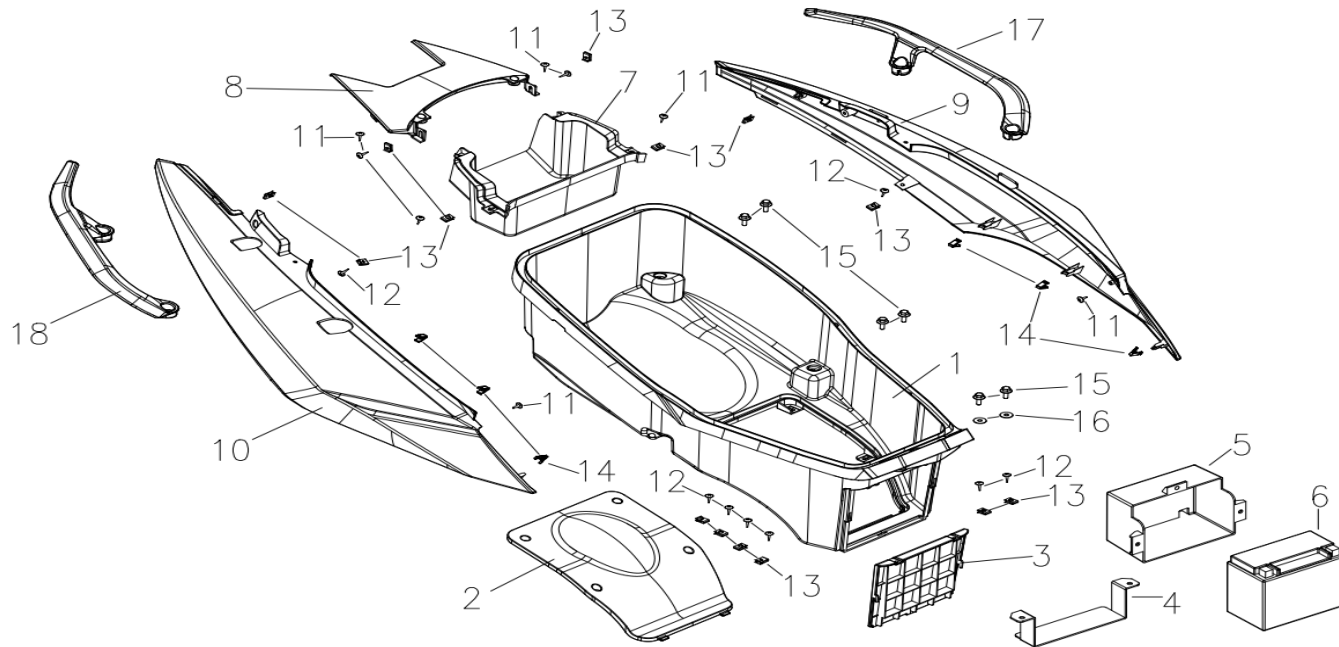


No.	Code	Item	Qty
21	GB818. 06016	CROSS SCREW M6X16	4
22	0120056. T11P. 02	AIR VENTS UNDER	1




16

**F 8 LUGGAGE BOX ASSY**

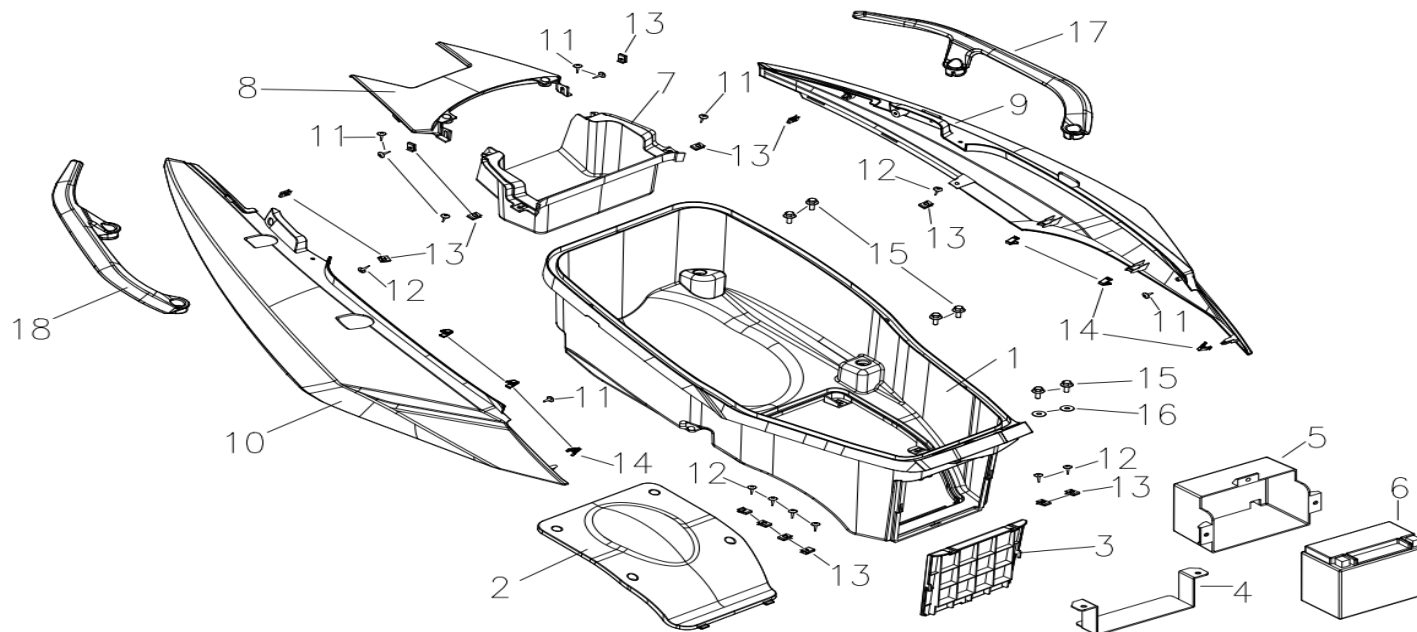


No.	Code	Item	Qty
1	0140001. T11P	LUGGAGE BOX ASSY	1
2	0140002. T11P	INNER LID LUGGAGE BOX	1
3	0120026. T11P	COVER BATTERY	1
4	0337000. T11P	BRACKET BATTERY	1
5	0120025. T11P	BATTERY CASE	1
6	1521000. G01S	BATTERY	1

7	0140006. T11P	RR COVER LUGGAGE BOX	1
8	0130015. T11P	COVER RR CENTER	1
9	0130001. T11P	RR MOLD L SIDE	1
10	0130002. T11P	RR MOLD R SIDE	1

17

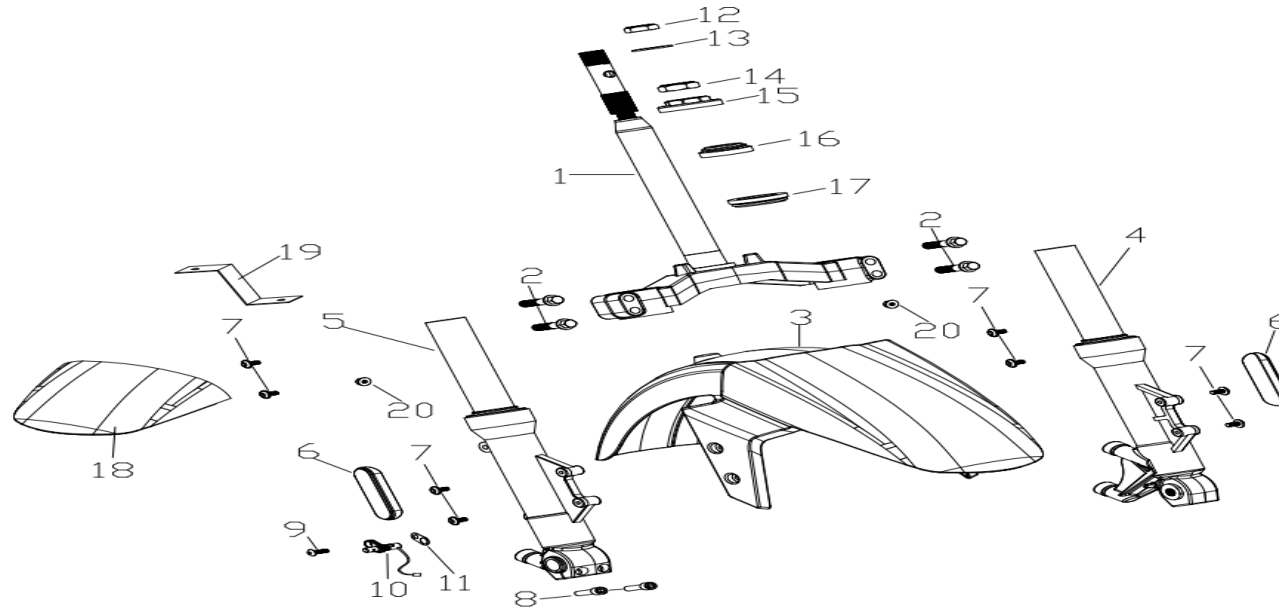
## F 8 LUGGAGE BOX ASSY



No.	Code	Item	Qty
11	GB845. 42012	SCREW TAPPING 4*12 (K)	8
12	GB845. 48016	SCREW TAPPING 4.8*16 (K)	8
13	Q397. 42	WASHER TAPPING $\phi$ 4.2	14
14	1430001. T09K	PLASTIC CLASP	6
15	GB5789. 06016	BOLT FLANGE M6×16	6
16	GB96. 06018	WASH PLAIN 6MM	2
17	1311001. T11P	REAR GRIP L	1
18	1311002. T11P	REAR GRIP R	1


18

## F 9 FRONT SUSPENSION

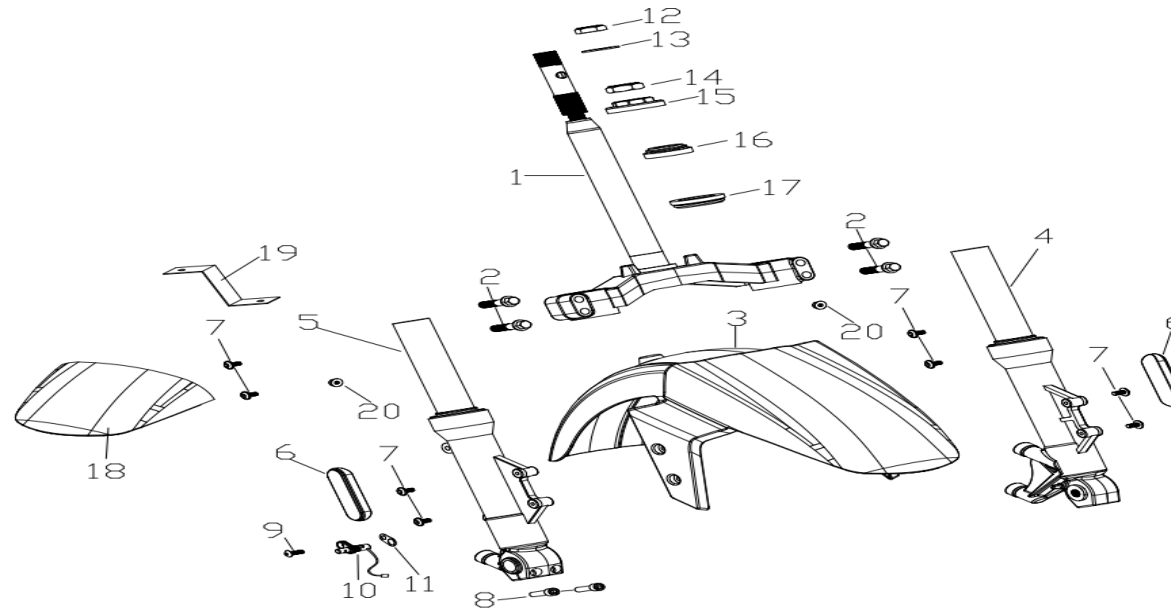


No.	Code	Item	Qty
1	0324000. T11P	STEM COMP., STRG	1
2	GB5789. 10040	BOLT FLANGE M10×40	4
3	0110037. T11P	FRONT FENDER	1
4	0411000. T11P	L. FR. FORK ASSY.	1
5	0412000. T11P	R. FR. FORK ASSY.	1
6	0260001. T11P	REFLEX REFLECTOR FR SIDE	2
7	1410041. G01S. 11	FLAT HEAD BOLT M 6*12	4
8	GB70. 1. 06025	BOLT WASH M 6*25	2
9	GB823. 05012	BOLT WASHER M5*12	1

10	0542002. T11P	GEAR SENSOR	1
----	---------------	-------------	---

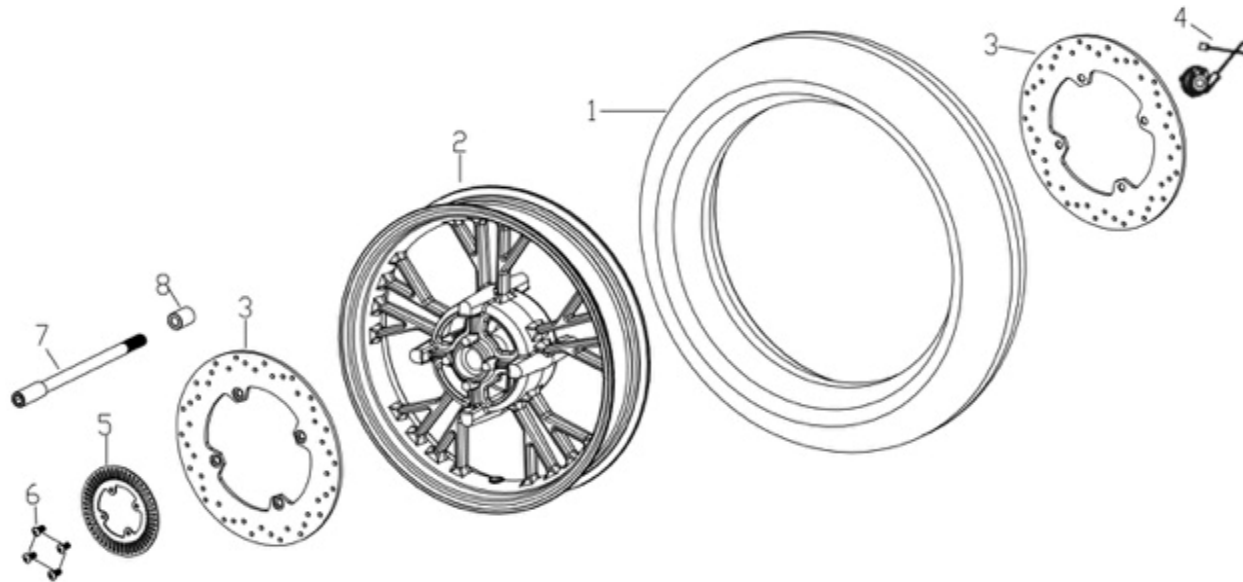
**19**

**F 9 FRONT SUSPENSION**

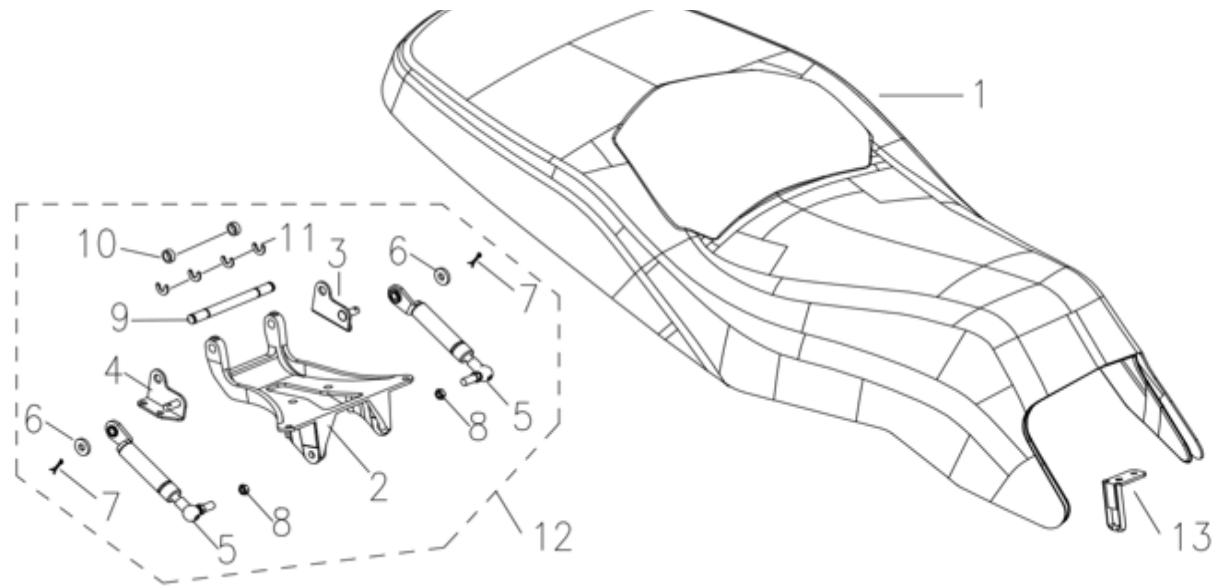


No.	Code	Item	Qty
11	0542012. T11P	WASHER GEAR SENSOR	1
12	1421001. T09K	HANDLEBAR LOCK NUT	1
13	1421002. T09K	WASHER HANDLEBAR LOCK NUT	1
14	1421003. T09K	UP LOCK NUT	1
15	1421004. T09K	DOWN LOCK NUT	1
16	1422000. T11P	UP NEEDLE BEARING	1
17	1423000. T11P	DOWN NEEDLE BEARING	1
18	0110065. T11P	FRONT FENDER REAR	1
19	0320016. T11P	FRONT FENDER BRACKET	1
20	GB6177. 1. 06	FLANGE NUT M6	2

## F 10 FRONT WHEEL



No.	Code	Item	Qty
1. 1	0610002. T11P	FRONT TIRE	1
1. 2	0610002. T11P. 01	FRONT TIRE, E-MARK	1
2	0610001. T11P. 03	FRONT RIM	1
3	0510001. T11P	DISK FR BRAKE	2
4. 1	0611000. G01S	GEAR BOX ASSY FOR CALCULATE SPEED	1
4. 2	0611000. G01S. 01	GEAR BOX ASSY FOR CALCULATE SPEED, FOR EURO 5 TFT VERSION	1
5	0542003. T11P	ABS FR GEAR RING	1
6	GB823. 05012	CROSS HEAD BOLT M5X12	4
7	1410001. T11P	AXLE FR WHEEL M14X222	1
8	1410004. T11P	COLLAR RR AXLE $\phi$ 15* $\phi$ 25*34	1

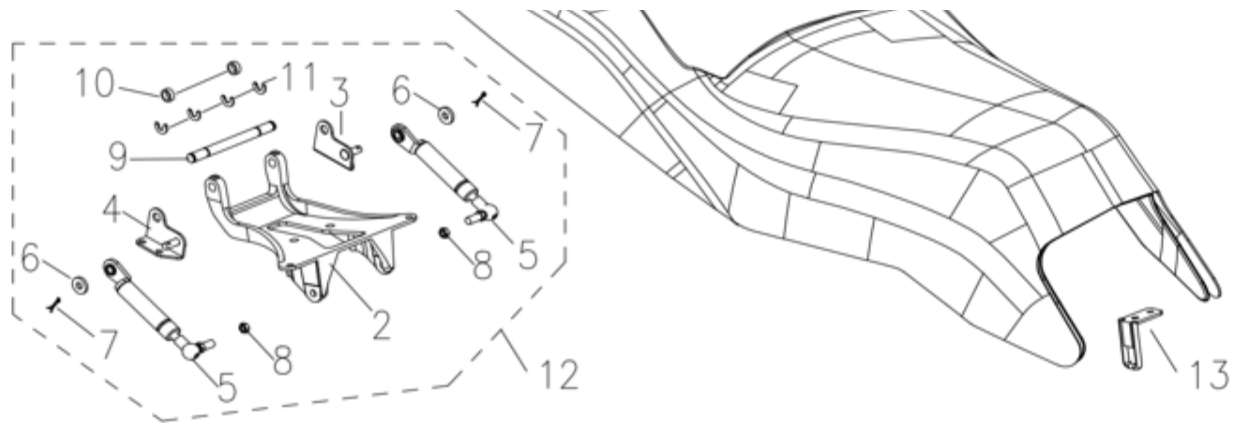


No.	Code	Item	Qty
1	0151000. T11P	SEAT	1
2	0356101. T11P	HINGE ASSY SEAT	1
3	0356103. T11P	L BRACKET HINGE ASSY SEAT	1
4	0356104. T11P	R BRACKET HINGE ASSY SEAT	1
5	0350015. T11P	BRACING PIECE FOR SEAT	2
6	GB96. 08018	WASH PLAIN 8MM	2
7	1410035. T09K	PIN LOK 8MM	2
8	GB6187. 1. 08	FLANGE LOCK NUT M8X1. 25	2
9	1410033. T11P	HINGE PIN	1
10	1410065. T09K	BUSHING	2

**22**

**F 11 SEAT**

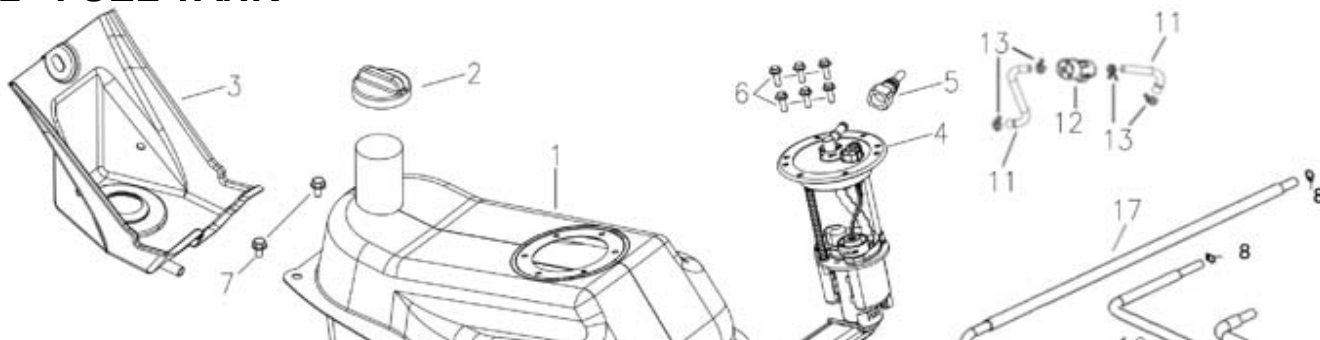


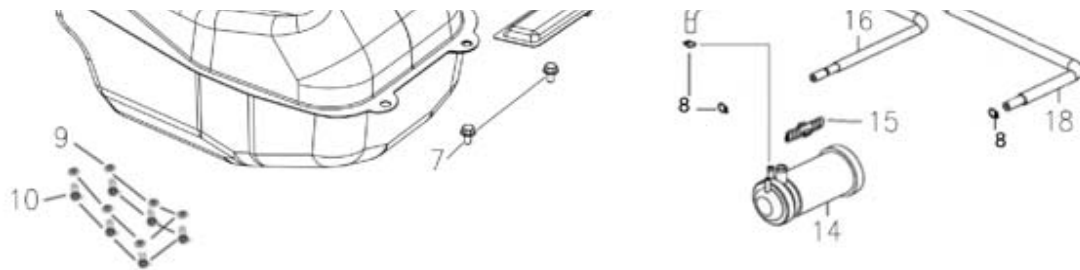


No.	Code	Item	Qty
11	GB894. 1. 10	STOP COLLAR-A $\phi$ 10	4
12	0356000. T11P	HINGE ASSY SEAT	1
13	0352000. T11P	LOCK ASSY SEAT	1
	0940002. T11P. 02	Seat button cable	1

23

## F 12 FUEL TANK

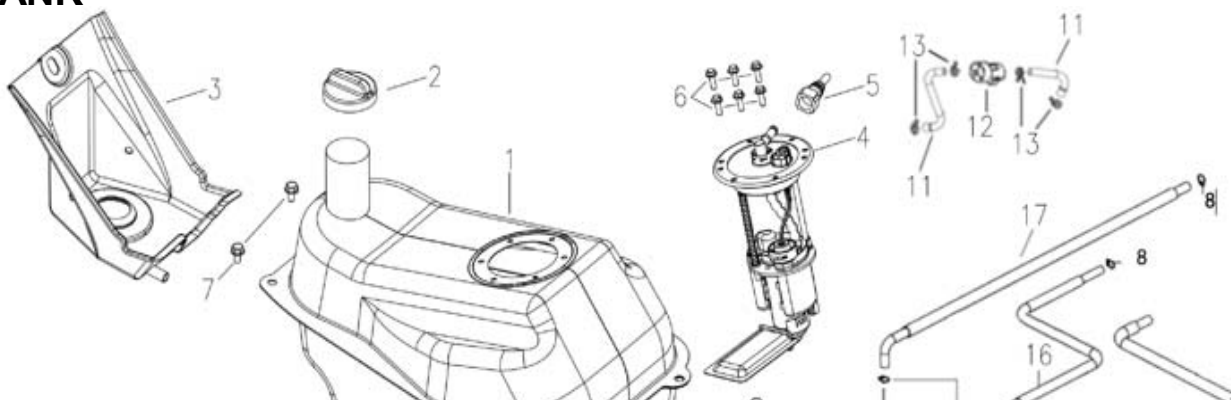




No.	Code	Item	Qty
1	1011000. T11P	FUEL TANK	1
2	1011001. T09K	FUEL CAP	1
3	1011002. T11P	PROTECTING COVER SET ON OIL FILLER	1
4.1	1013000. T11P	FUEL PUMP	1
4.2	1013000. T11P. 02	FUEL PUMP (version 2)	1
5	1020005. T10P	CONNECTION BOLT	1
6	GB5789. 05020	BOLT FLANGE M5×20	6
7	GB5789. 06012	BOLT FLANGE M6×12	4
8	1020010. T09K	TUBE CLIP	6
9	1430060. T09K	OIL SEAL GASKET	6
10	GB5789. 06020	BOLT FLANGE M6×20	4

24

## F 12 FUEL TANK



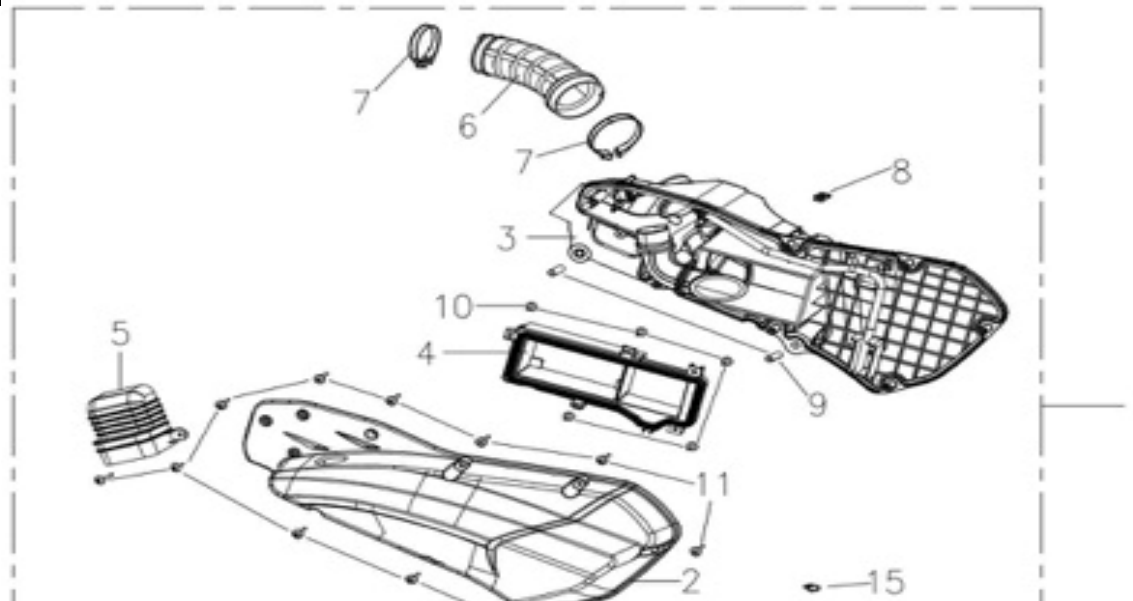


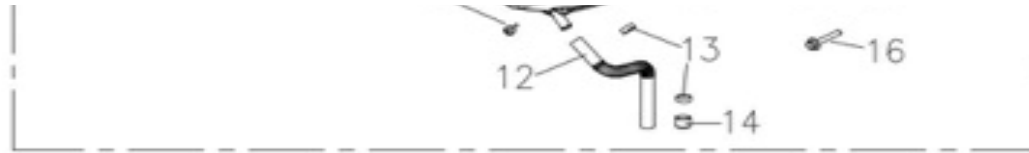


No.	Code	Item	Qty
11	1020001. G01S	OIL TUBE	1
12	1020003. T09K	OIL FILTER	1
13	1020008. T09K	TUBE CLIP	6
14	1040001. T09K	CANISTER COMP	1
15	1040002. T09K	RUBBER CANISTER MOUNT	2
16	1040004. T11P	TUBE ASSY	1
17	1040004. T09K	TUBE ASSY	1
18	1020009. T09K	TUBE ASSY	1

25

**F 13.1 AIR FILTER**

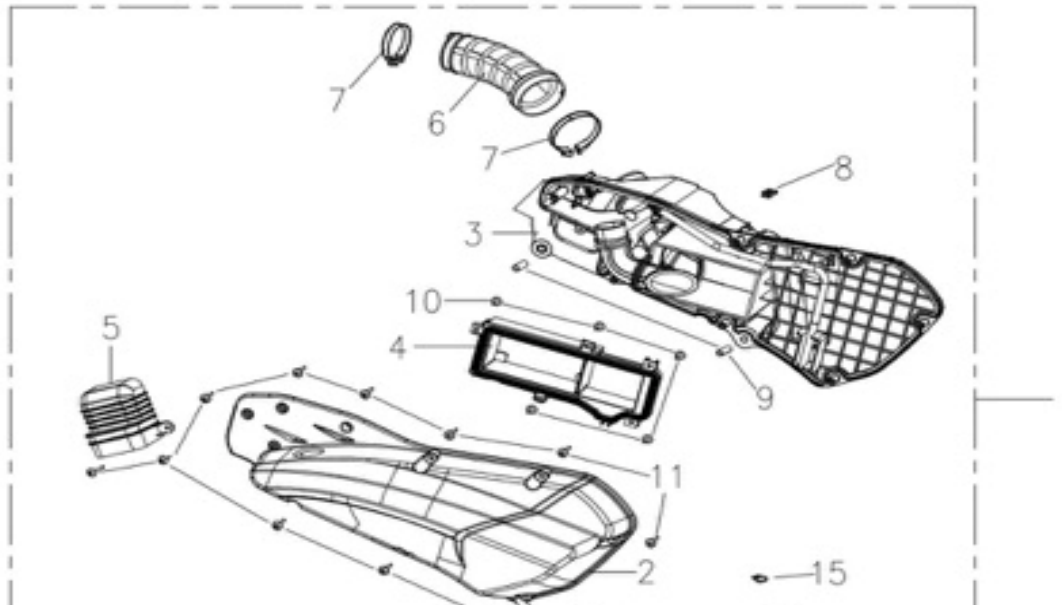




No.	Code	Item	Qty
1	1121000. T10P	AIR FILTER	1
2	1121003. T10P	FILTER OUTER COVER	1
3	1121004. T10P	FILTER INNER COVER	1
4	1121002. T10P	ELEMENT, AIR FILTER	1
5	1121008. T11P	INTAKE COVER OF AIR FILTER	1
6	1121007. T10P	INTAKE TUBE	1
7	1121009. T10P	COLLAR OF INTAKE TUBE 32-44	2
8	Q397. 42	NUT SPRING 4MM	1
9	1121016. T10P	BUSHING FOR FILTER OUTER COVER	2
10	GB845. 42016	SCREW TAPPING 4*16 (K)	5

**26**

**F 13.1 AIR FILTER**

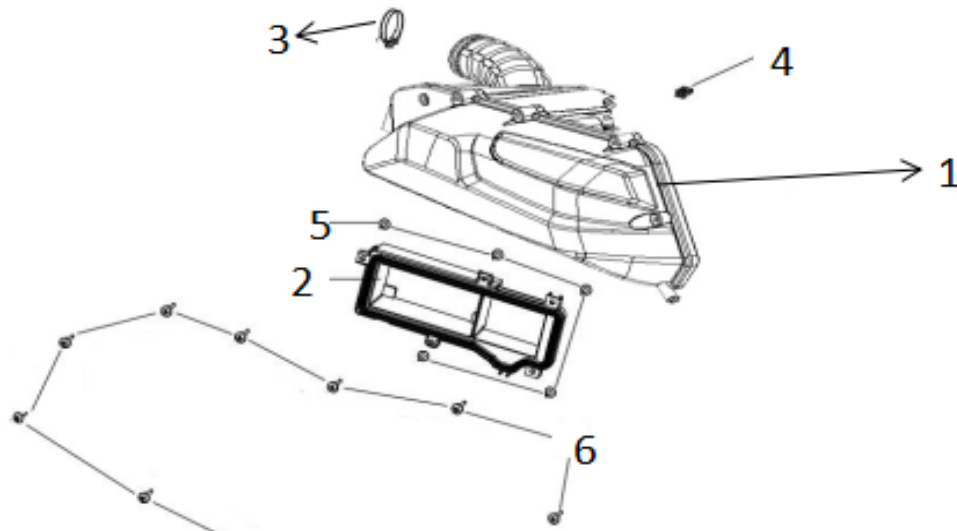




No.	Code	Item	Qty
11	GB845.48016	SCREW TAPPING 4*16 (K)	11
12	1121006.T10P	OVERFLOW TUBE OF AIR FILTER	1
13	1121014.G01S	OVERFLOW TUBE CLIP	2
14	1121012.G01S	SEAL CAP	1
15	1430023.G01S	TUBE CLIP	1
16	1430030.G01S	SIDE REFLECTOR BOLT	1

27

## F13.2 AIR FILTER, VERSION 2

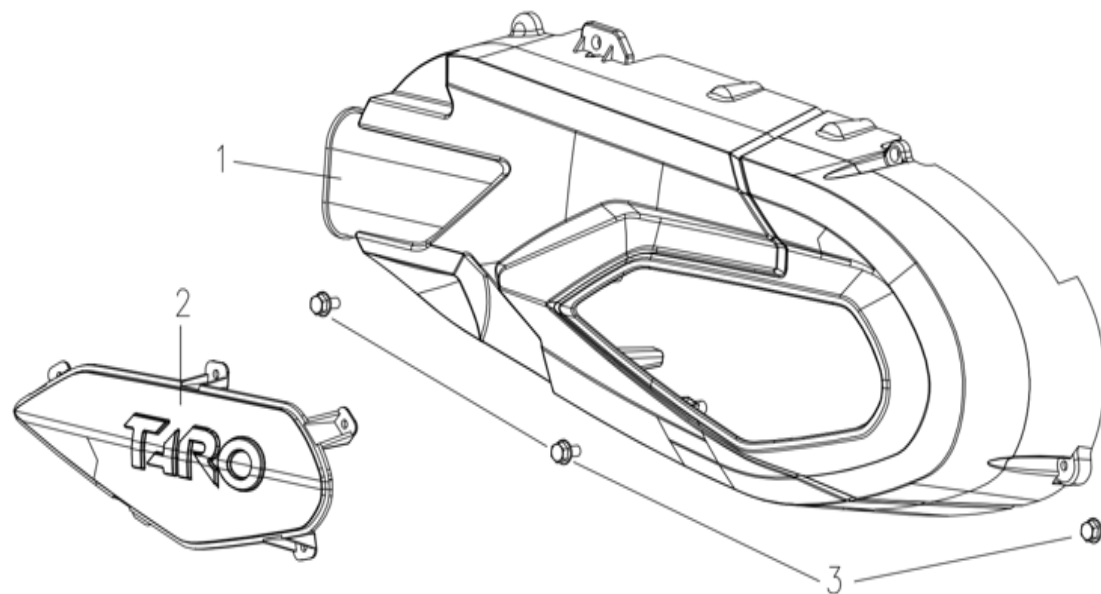




NO.	CODE	Item	Qty
1	1121000. T12S. 01	Air Filter Assy.	1
2	1121002. T12S	Filter element.	1
3	1121001. T12S	clamp, air filter 32-50	1
4	Q397. 42	A-springm nut $\phi 4.2$	1
5	GB845. 42016. 06	SCREW ST4. 2*16	5
6	GB845. 48016. 10	Screw ST4. 8*16	10

28

### F 14 ENGINE COVER

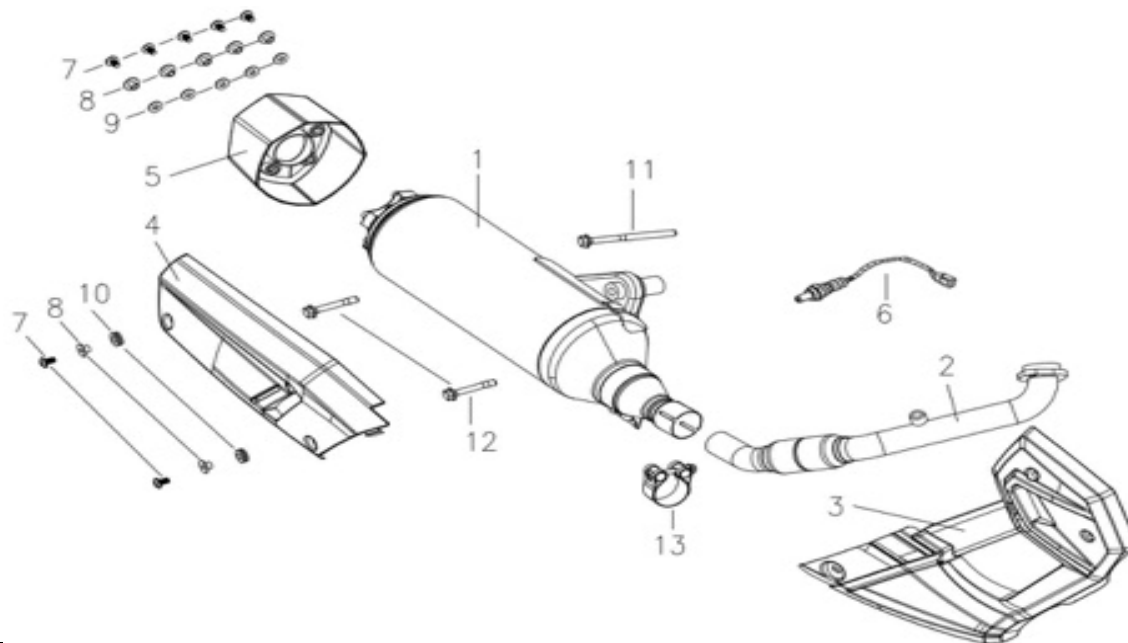


No.	Code	Item	Qty
-----	------	------	-----

1	1140002. T10P. 02	PLASTIC SIDE COVER FOR ENGINE	1
2.1	1140004. T11P	DECORATED ENGINE OUTER COVER	1
2.2	1140004. T11P. 01	DECORATED ENGINE OUTER COVER, WITH STICKER	1
3	GB70. 1. 06012	BOLT WASH M6*12	3

29

## F 15 MUFFLER

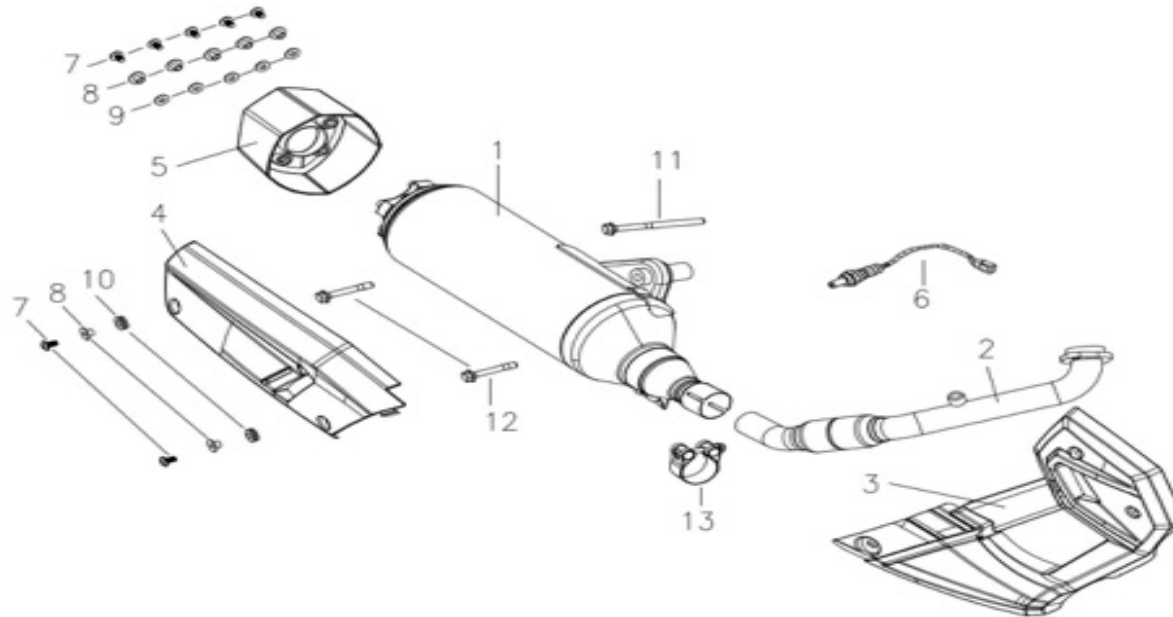


No.	Code	Item	Qty
1.1	1131000. T11P	EXHAUST MUFFLER ASSY, WITH ACCELERANT	1

1.2	1131000. T11P. 03	EXHAUST MUFFLER ASSY, WITHOUT ACCELERANT	1
2.1	1132000. T11P. 03	EXHAUST MUFFLER BEND TUBE ASSY, WITH ACCELERANT	1
2.2	1132000. T11P. 05	EXHAUST MUFFLER ASSY, WITHOUT ACCELERANT	1
2.3	1131000. T11P. 04	EXHAUST MUFFLER BEND TUBE ASSY, EPA	1
3	1130010. T10P	FR SIDE COVER OF MUFFLER	1
4	1130006. T10P	MUFFLER SIDE COVER	1
5	1130007. T10P	MUFFLER BACK COVER	1
6	0720006. T09K. 01	O <sub>2</sub> SENSOR	1
7	1410042. G01S	FLAT HEAD BOLT M 6*16	7
8	1130015. T09K	BUSHING FOR MUFF. SIDE COVER	7
9	1130012. T09K	INSULATING GASKET	5
10	1130016. T11P	RUBBER RING FOR MUFF. SIDE COVER	2

30

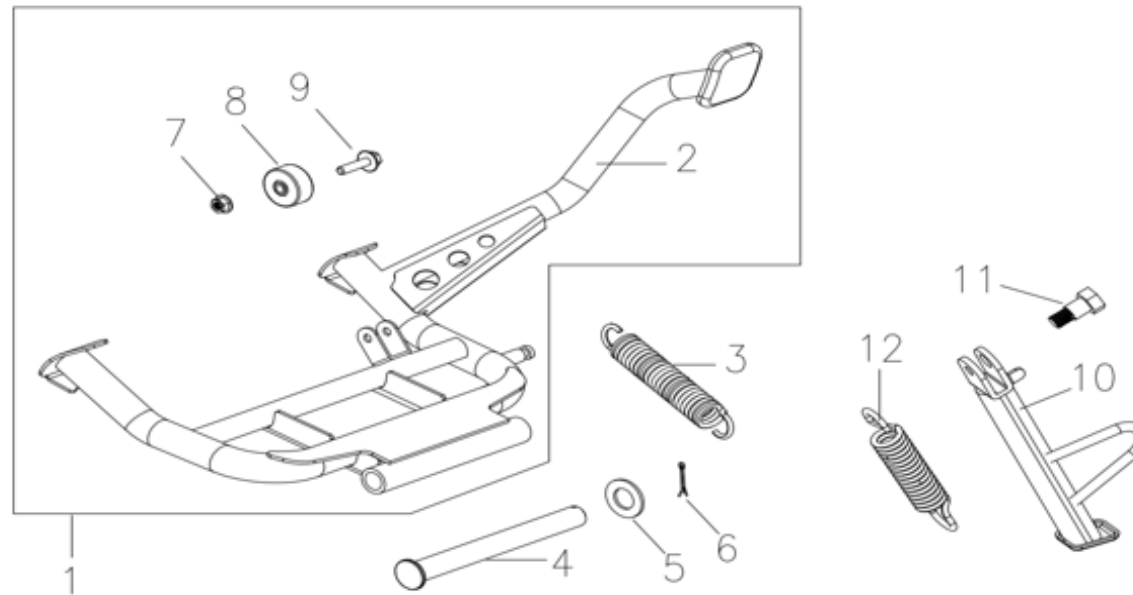
## F 15 MUFFLER



No.	Code	Item	Qty
11	GB5789.10085	BOLT FLANGE M10×85	1
12	GB5789.10045	BOLT FLANGE M10×45	2
13	1130005.T10P	MUFFLER CLAMP	1

31

### F 16 MAIN STAND

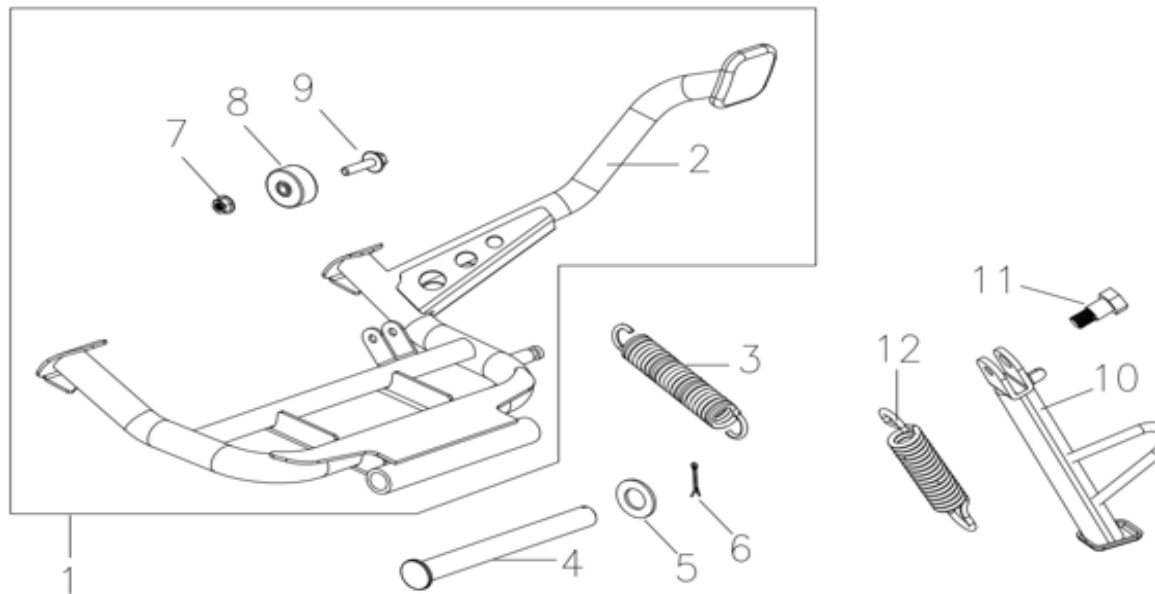


No.	Code	Item	Qty
1.1	0335000.T11P	STAND ASSY MAIN	1
1.2	0335000.T11P.02	STAND ASSY MAIN(version 2)	1

2	0335006. T11P	FOOT STAND LEVER	1
3	0350011. T09K	SPRING OF MAIN STAND	1
4	1410012. T09K	AXLE MIAN STAND $\phi 14*148$	1
5	GB96. 15028	WASHER $\phi 15*\phi 28*1.5$	1
6	GB91. 20020	PIN LOCK 8MM	1
7	GB6187. 1. 06	LOCK NUT M6	1
8	0335100. T11P	RUBBER STOPPER MAIN	1
9	GB5789. 06030	FLANGE BOLT M6X30	1
10.1	0336000. T11P	BAR SIDE STAND	1
10.2	0336000. T11P. 03	BAR SIDE STAND(version 2), STEEL	1
10.3	0336000. T12S	BAR SIDE STAND(version 2), ALU	1

32

## F 16 MAIN STAND



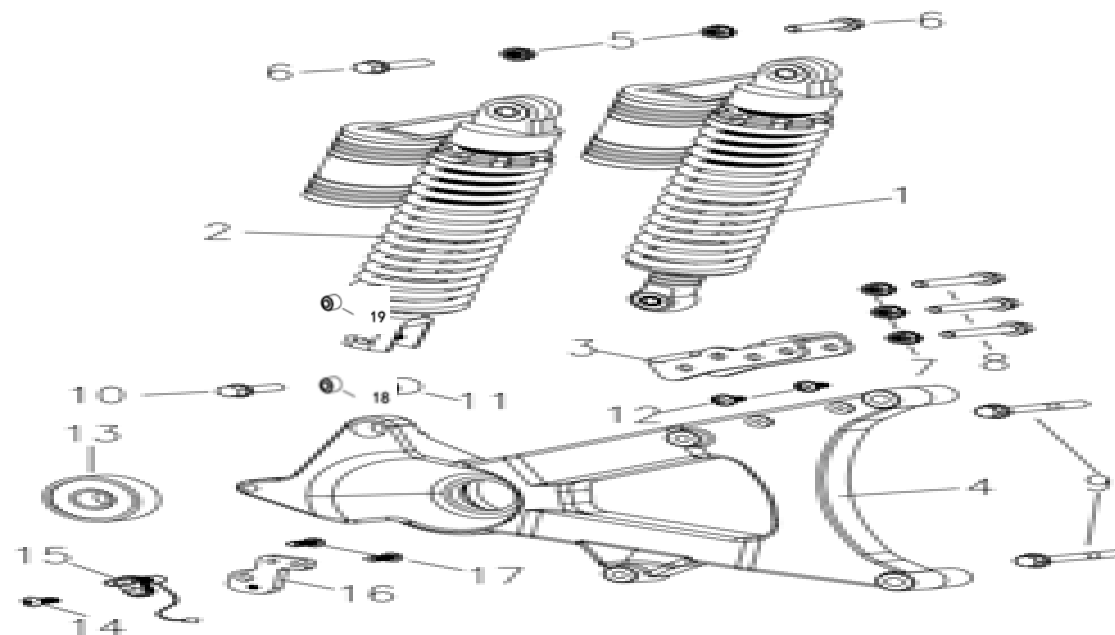
No.	Code	Item	Qty
11	1410013. T09K	SCREW SIDE STAND PIVOT	1



12	0350012. T09J. 01	SPRING OF SIDE STAND	1

33

### F 17 REAR ABSORBER

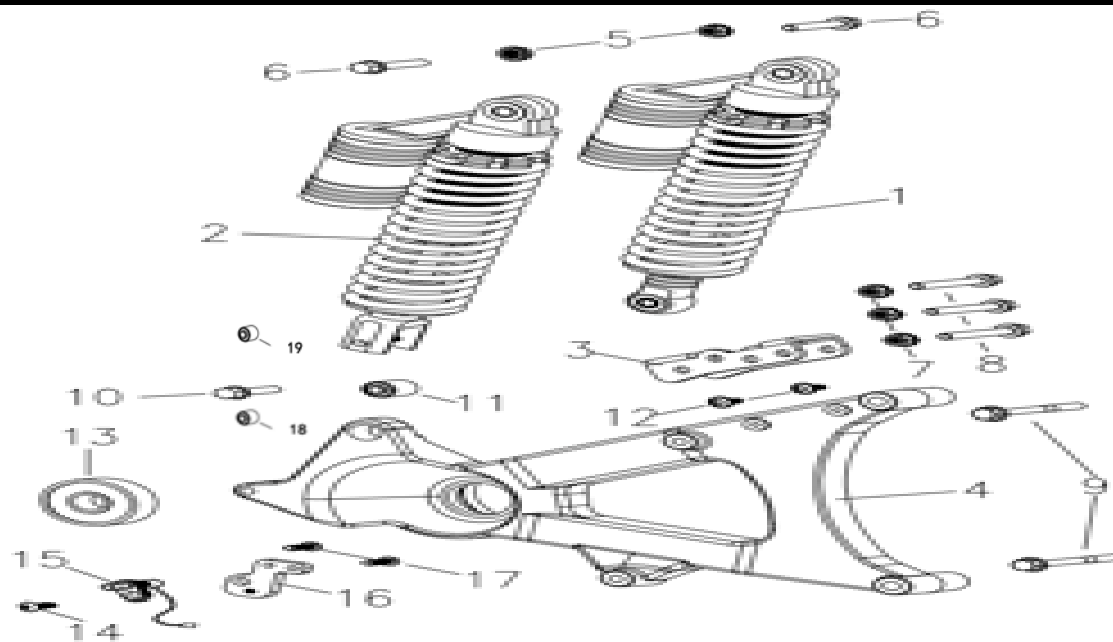


No.	Code	Item	Qty
1	0421000. T11P. 02	L, RR. ABSORBER	1
2	0422000. T11P. 02	R, RR. ABSORBER	1
3	0344000. T10P	BRACKET FOR RR. ABSORBER	1

4	0342000. T10P	DYNAMIC CONNECTION PLATE	1
5	GB6187. 1. 10	NUT FLANGE 10MM	2
6	GB5789. 10040	BOLT FLANGE M10×40	5
7	GB6187. 1. 08	NUT 8MM	3
8	GB5789. 08045	FLANGE BOLT M8X45	3
9	GB5789. 10065	FLANGE BOLT M10X65	2
10	GB5789. 08035	FLANGE BOLT M8X35	1

34

## F 17 REAR ABSORBER

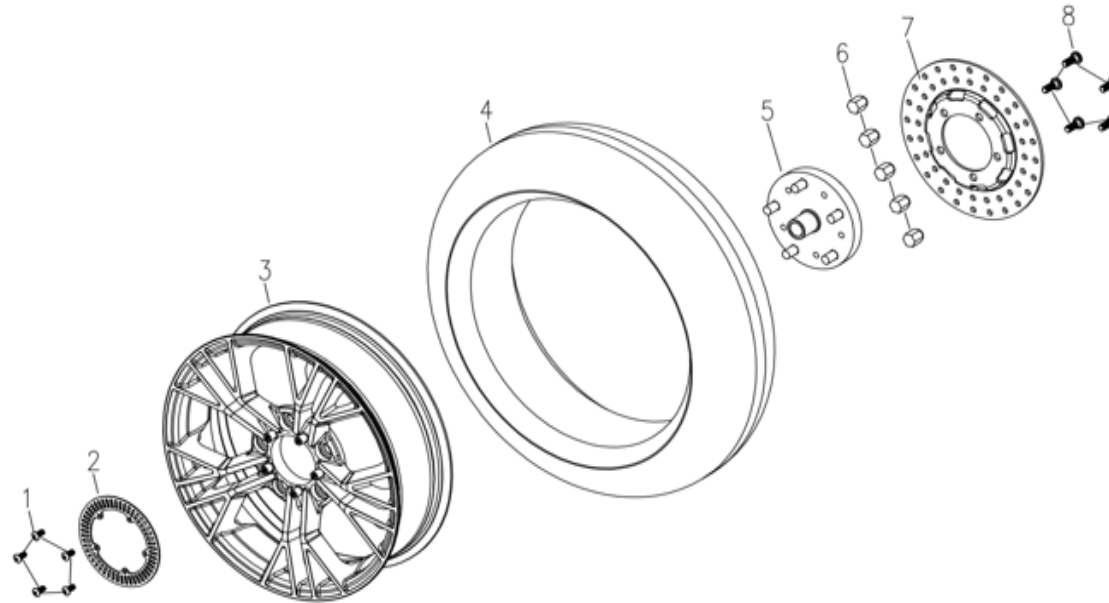


No.	Code	Item	Qty
11	0342003. T09K	BUFFERING BUSHING	1
12	1410041. G01S	FLAT HEAD BOLT M6*12	2
13	0342004. T09K	BEARING FOR DYNAMIC CONNECTION PLATE	1
14	GB70. 1. 06012	FLANGE BOLT M6X12	1
15	0542002. T11P	GEAR RING SENSOR	1

16	0542010. T11P	BRACKET FOR RR. GEAR RING SENSOR	1
17	GB5789. 06016	FLANGE BOLT M6X16	2
18	0342002. T10P	OUTER BUSHING FOR DYNAMIC CONNECTION PLATE	1
19	0342001. T10P	INNER BUSHING FOR DYNAMIC CONNECTION PLATE	1

**35**

## F 18 REAR WHEEL

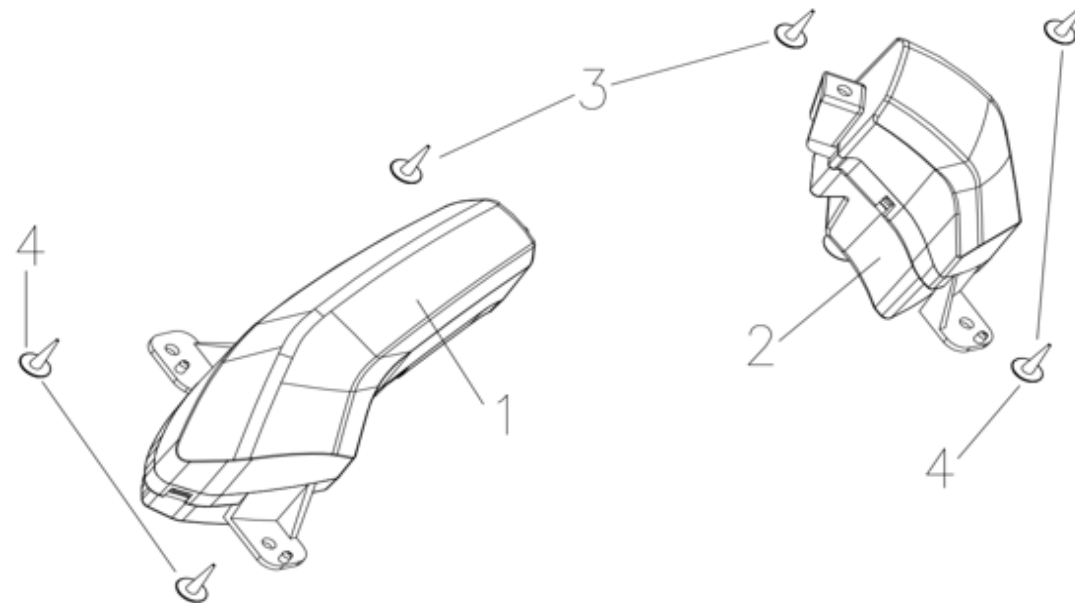


No.	Code	Item	Qty
1	GB823. 05012	CROSS HEAD BOLT M5X12	5
2	0542004. T11P	ABS RR. GEAR RING	1
3	0620001. T11P. 03	REAR RIM	1
4.1	0620002. T11P	REAR TIRE, 140/70-14	1
4.2	0620002. T11P. 01	REAR TIRE, 140/70-14, E-MARK	1
5	0620004. T10P	WHEEL HUB	1
6	1410020. G01S	WHEEL HUB NUT	5

7	0520001. T11P	RR. DISK PLATE	1
8	1410029. G01S	BOLT FR DISK 8*25	5

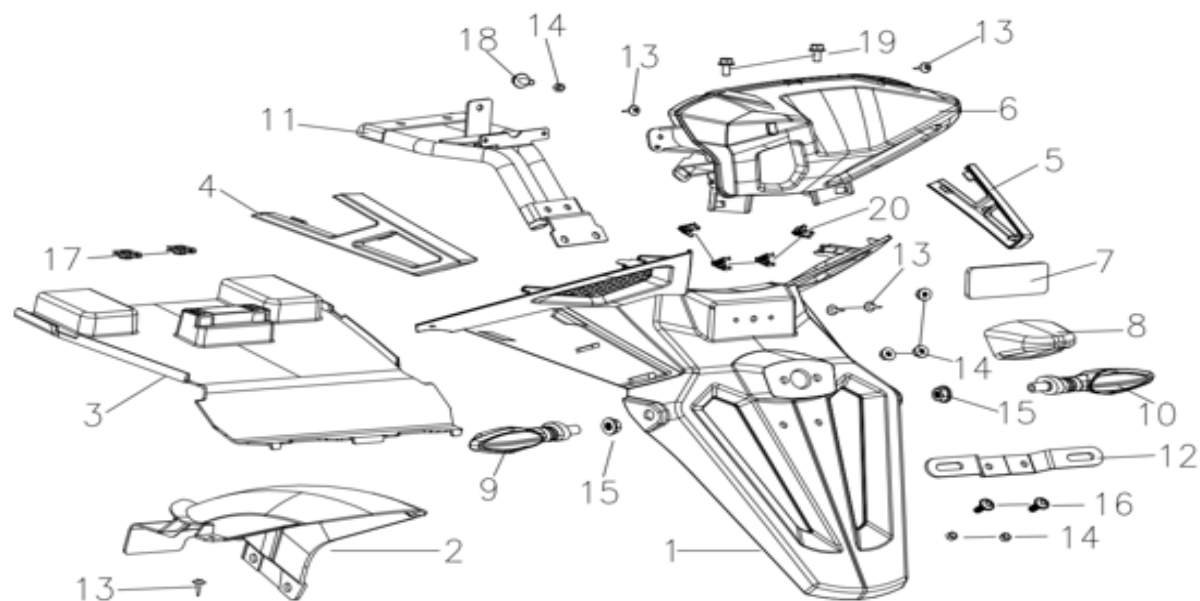
36

### F 19 FRONT WINKER



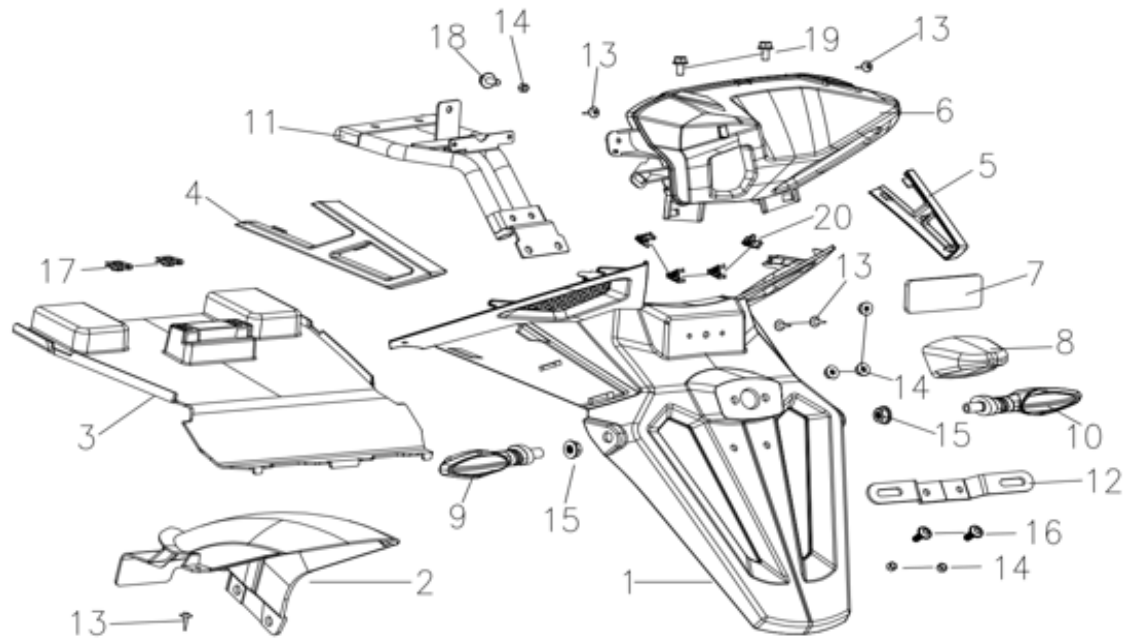
No.	Code	Item	Qty
1	0232000. T11P	WINKER ASSY.. R . FR	1
2	0231000. T11P	WINKER ASSY.. L . FR	1
3	GB845. 42012	SCREW TAPPING 4*12 (K)	2
4	GB845. 48016	SCREW TAPPING 4*16 (K)	4

## F 20 REAR FENDER



No.	Code	Item	Qty
1	0130022. T11P	REAR FENDER	1
2	0130027. T12S	FENDER RR TIRE	1
3	0130025. T11P	FR COVER FOR RR FENDER	1
4	0130037. T11P	COVER FOR LEFT RR FENDER	1
5	0130038. T11P	COVER FOR RIGHT RR FENDER	1
6	0220000. T11P	RR COMBINATION LAMP	1
7	0260002. T09J. 01	REAR REFLECTOR	1
8	0240000. T11P	LICENSE PLATE LAMP	1
9	0231000. G02M	WINKER ASSY.. L . FR	1
10	0232000. G02M	WINKER ASSY.. R . FR	1

## F 20 REAR FENDER

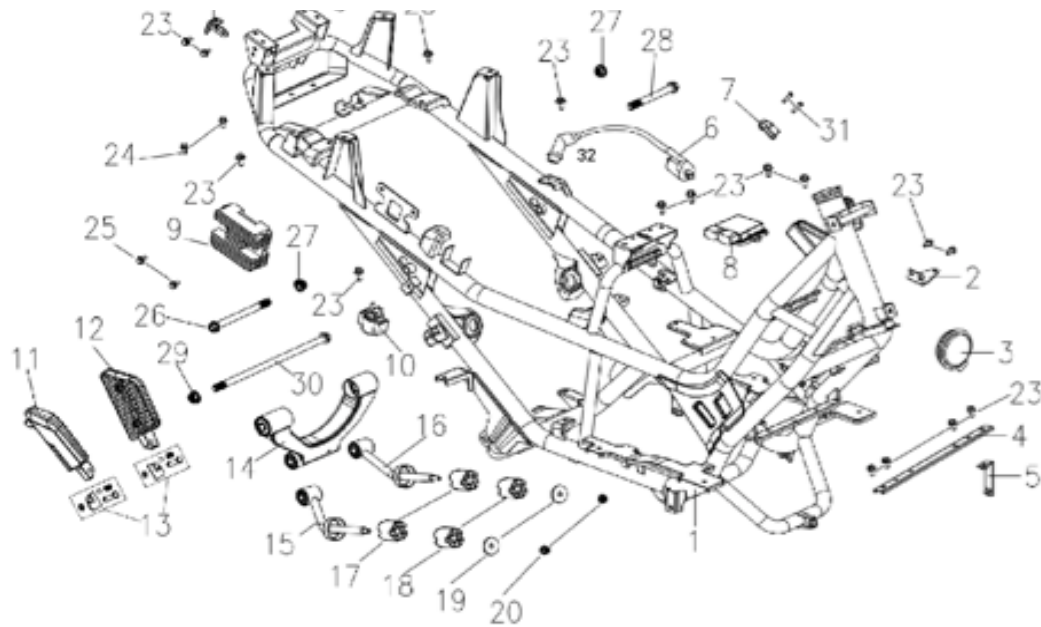


No.	Code	Item	Qty
11	0345005. T11P	FR BRACKET FOR RR FENDER	1
12	0340004. T11P	RR LICENSE BRACKET	1
13	GB845. 48016	SCREW TAPPING 4*16 (K)	5
14	GB6177. 1. 06	FLANGE NUT M6	6
15	GB6177. 1. 10	FLANGE NUT M10	2
16	1410042. G01S	FLAT HEAD BOLT M6X16	2
17	Q312. 06	NUT M6	2
18	GB5789. 06016	FLANGE BOLT M6X16	1
19	GB5789. 06012	LANGE BOLT M6X12	2
20	1430001. T09K	PLATIC CLASP	4

39

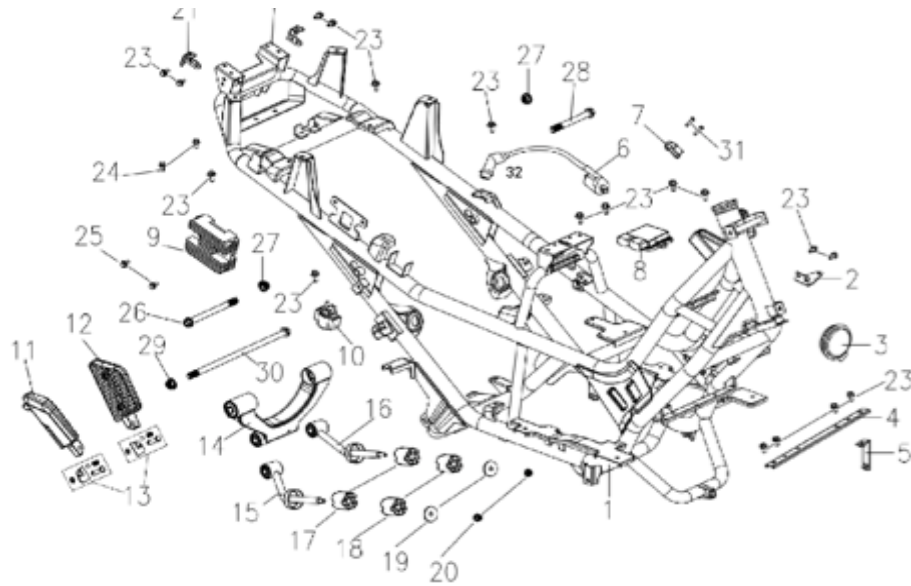
## F 21 FRAME





No.	Code	Item	Qty
1.1	0310000.T11P	MAIN FRAME ASSY	1
1.2	0310000.T11P.02	MAIN FRAME ASSY(version 2)	1
2	0320010.T11P	BRACKET FOR WATER FILLER	1
3	0740001.T09K	HORN	1
4	0330002.T09K	RR BRACKET FOR FUEL TANK	1
5	0330009.T10K	BRACKET FOR WATER TUBE	1
6	0720004.G01R	IGNITION COIL COMP	1
7	0740004.T09K	SWITCH SIDE STAND	1
8.1	0720005.T09J	ECU, MT05.3, 2 PLUGS	1
8.2	0720005.T09J.02	ECU, SE08.D002, 1 PLUG	1
9	0720001.T10P	RECTIFIER	1
10	0720002.T09K	START RELAY	1

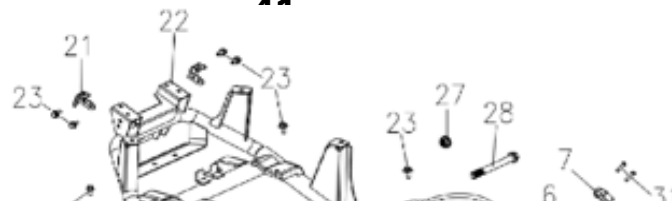
40



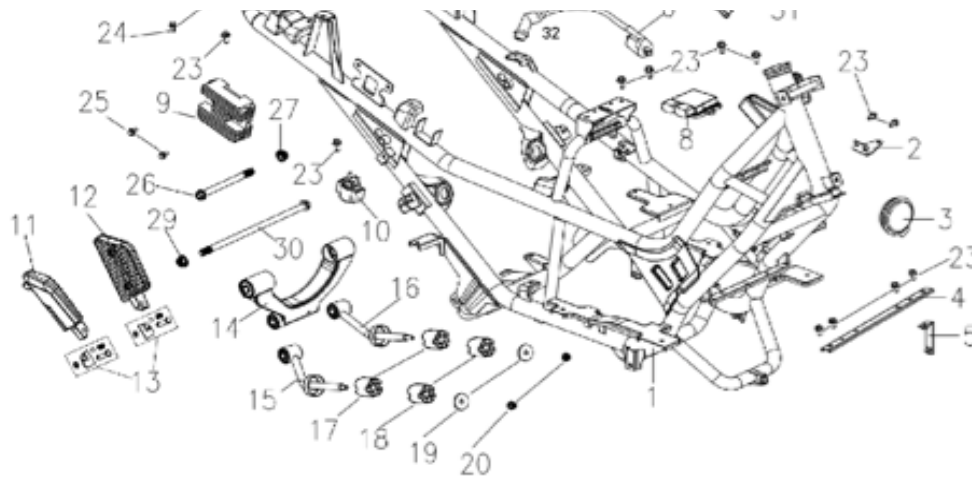
No.	Code	Item	Qty
11	1326000. T11P	BAR R STEP ASSY	1
12	1325000. T11P	BAR L STEP ASSY	1
13	1323200. T11P	PIN SPLIT 1.6*15	2
14	0333000. T10P	WATER-COOLED HANGER	1
15	0334200. T11P	RIGHT BAR FOR WATER-COOLED HANGER	1
16	0334100. T11P	LEFT BAR FOR WATER-COOLED HANGER	1
17	0334106. T10P	RR BUFFERING RUBBER	2
18	0334105. T10P	FR BUFFERING RUBBER	2
19	0334107. T10P	BAR WASHER	2
20	GB6187. 1. 08	NUT FLANGE 8MM	2

44

## F 21 FRAME



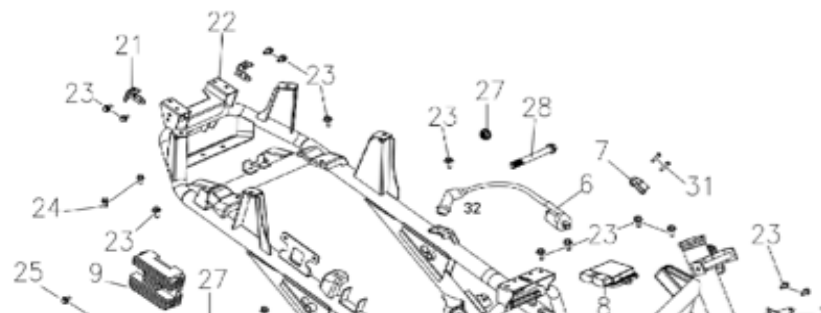


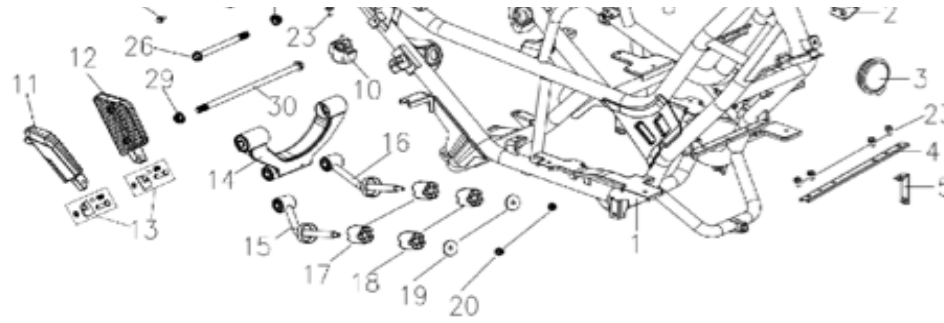


No.	Code	Item	Qty
21	0349002. T11P	R BRACKET FOR TAIL LAMP	1
22	0349001. T11P	L BRACKET FOR TAIL LAMP	1
23	GB5789. 06012	FLANGE BOLT M6X12	18
24	GB5789. 06016	FLANGE BOLT M6X16	2
25	GB5789. 06025	FLANGE BOLT M6X25	2
26	GB5789. 12135	FLANGE BOLT M12X135	1
27	GB6187. 1. 12	NUT FLANGE 12MM	2
28	GB5789. 12105	FLANGE BOLT M12X105	1
29	1410057. G01S	LOCK NUT M12	1
30	1410048. T10P	HANGER SHAFT	1

**42**

**F 21 FRAME**

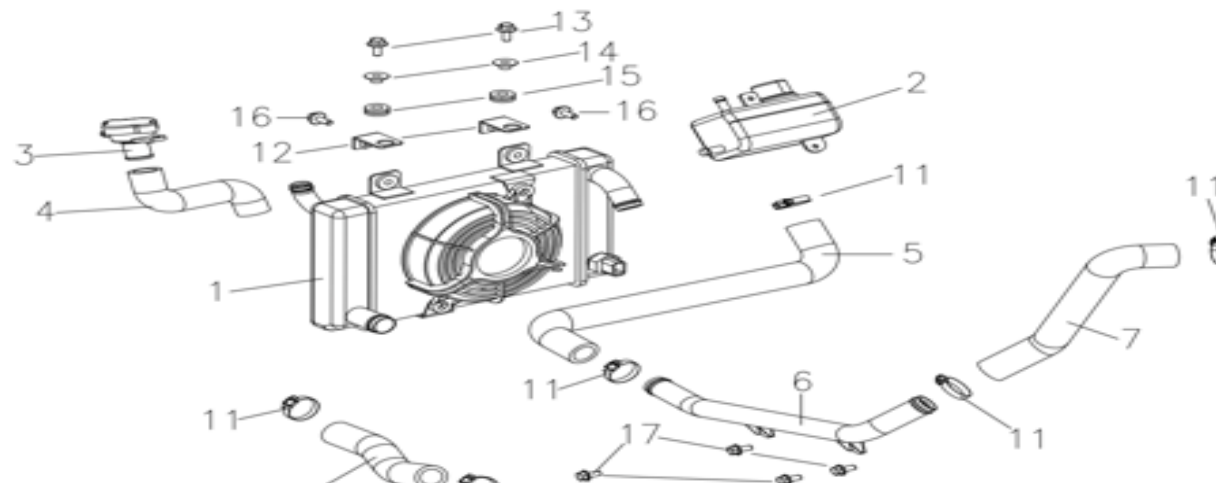


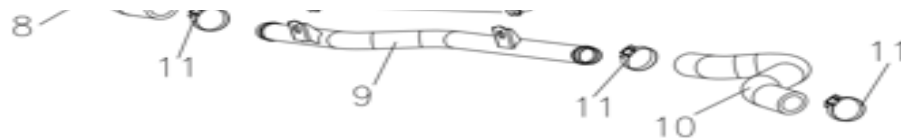


No.	Code	Item	Qty
31	GB70. 1. 05020a	BOLT WASH M5*20	2
32	0720008. T11P	IGNITION COIL COMP. CAP	1

**43**

**F 22 RADIATOR**

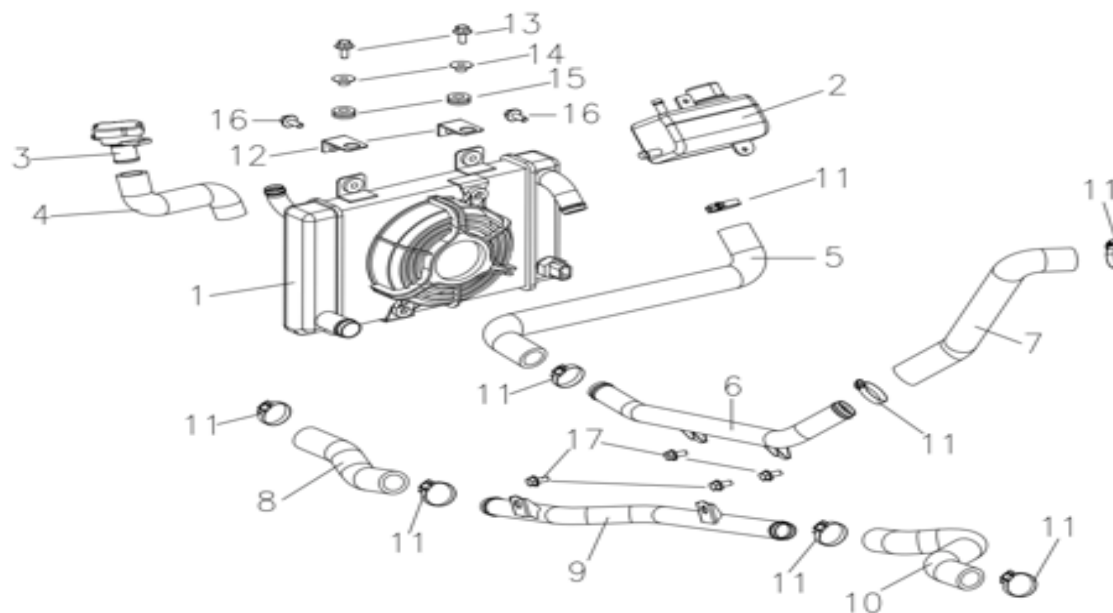




No.	Code	Item	Qty
1	1211000. T11P	FAN OF WATER TANK ASSY	1
2	1230001. T11P	AUXILIARY KETTLE	1
3	1212000. T10P	COUPLING	1
4	1220003. T11P	INLET TUBE OF TANK	1
5	1220007. T11P	INLET RUBBER TUBE OF TANK	1
6	1221000. T11P	UPPER COOLING TUBE	1
7	1220005. T10P	OUTLET RUBBER TUBE OF ENGINE	1
8	1220008. T10P	OUTLET RUBBER TUBE OF TANK	1
9	1222000. T11P	LOWER COOLING TUBE	1
10	1220004. T10P	INLET RUBBER TUBE OF ENGINE	1

**44**

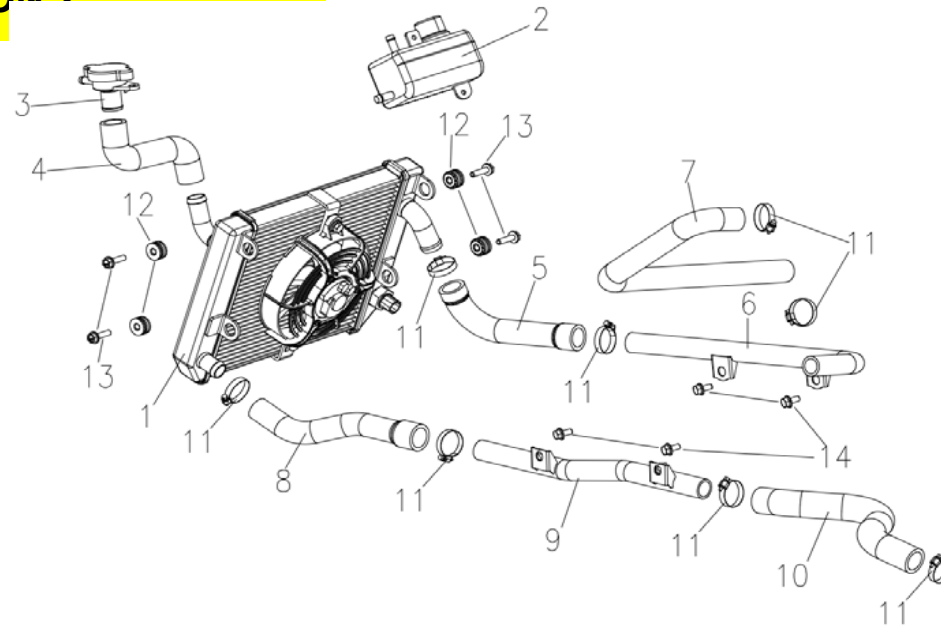
## F 22 RADIATOR



No.	Code	Item	Qty
11	1220010. T10P	TUBE COLLAR	8
12	0320011. T11P	TANK BRACKET	2
13	GB5789. 06025	FLANGE BOLT M6X25	2
14	1410031. G01S	BUSHING FOR TANK	2
15	1430005. G01S	RUBBER RING FOR TANK	2
16	GB5789. 06020	FLANGE BOLT M6X20	2
17	GB5789. 06012	FLANGE BOLT M6X12	4

45

**F 22 RADIATOR VERSION 2**

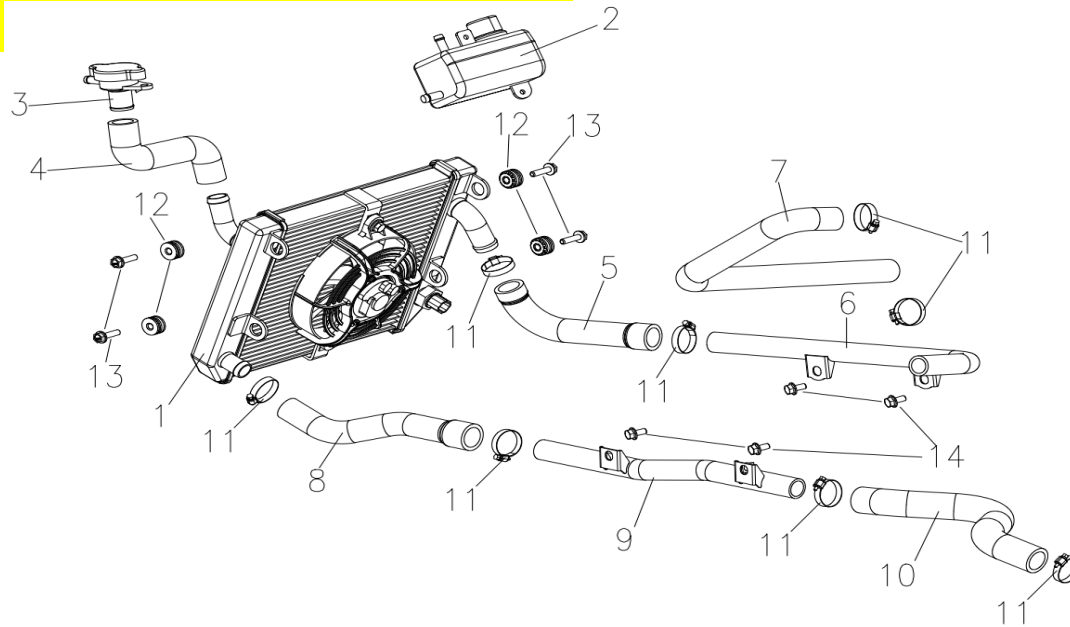


No.	Code	Item	Qty
1	1211000. T11P. 02	FAN OF WATER TANK ASSY	1

2	1230001. T11P	AUXILIARY KETTLE	1
3	1212000. T10P	COUPLING	1
4	1220003. T11P	INLET TUBE OF TANK	1
5	1220007. T11P. 02	INLET RUBBER TUBE OF TANK	1
6	1221000. T11P. 02	LEFT COOLING TUBE	1
7	1220005. T11P. 02	OUTLET RUBBER TUBE OF ENGINE	1
8	1220008. T11P. 02	OUTLET RUBBER TUBE OF TANK	1
9	1222000. T11P. 02	RIGHT COOLING TUBE	1
10	1220004. T12S	INTLET TUBE OF ENGINE	1

46

## F 22 RADIATOR VERSION 2

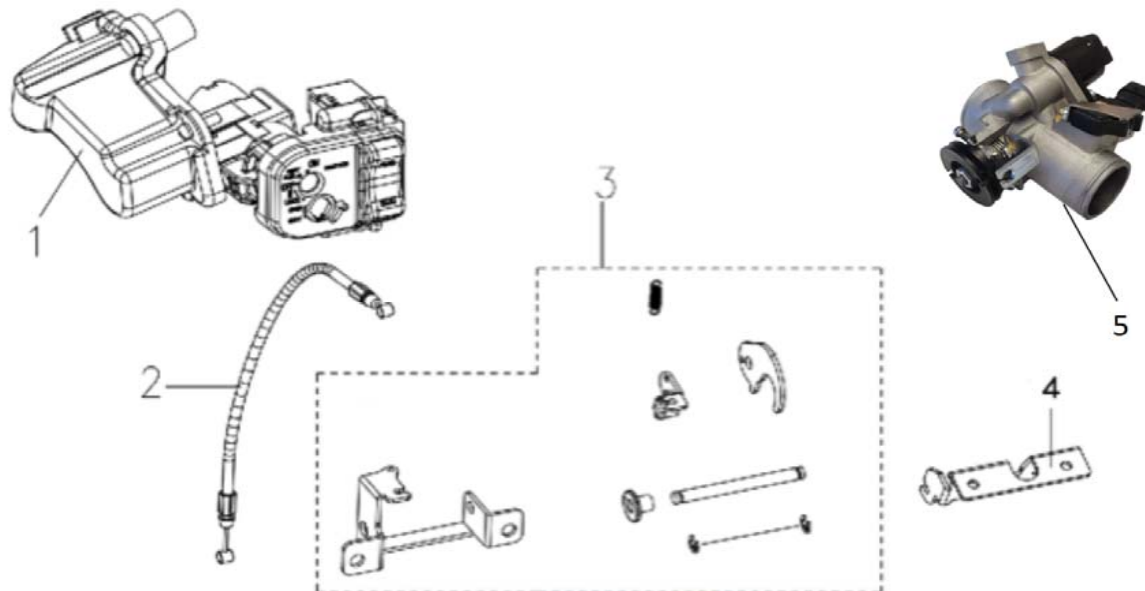


No.	Code	Item	Qty
11	1220010. G01S	TUBE CLAMP (22-32)	8

12	1430005. G01S	RUBBER RING FOR TANK	4
13	GB5789. 06025	FLANGE BOLT M6X25	4
14	GB5789. 06012	FLANGE BOLT M6X12	4

47

**F 23**



No.	Code	Item	Qty
1. 1	0710000. T11P	MAIN LOCK ASSY	1
1. 2	0710000. T11P. 02	MAIN LOCK ASSY, KEYLESS START	1
2	0940004. T10K	LOCK COIL FOR TANK	1

3	0355000. T11P	LOCK BASE OF TANK CAP	1
4	0311009. T11P	LOCK BASE OF SEAT	1
5	1141000. T10P	THROTTLE UNIT	1